



Operating instructions

Safety brake Size 4



List of Contents	Page
SAFETY DIRECTIONS	3
DESIGN AND FUNCTION.....	4
MAINTENANCE AND EXAMINATION	4
SERVICE / REPLACEMENT PARTS / ACCESSORIES	4
DIMENSIONS	5
TECHNICAL DATA	5
INSTALLATION INSTRUCTIONS	6
FUNCTION (CATCHING)	7
REPLACEMENT DAMING BAR / SAFETY BRAKE	7
TRANSPORT / STOCKING / DISPOSAL	7
DECLARATION OF INCORPORATION	8

Instructions must be observed before proceeding with the installation of your safety brake!

This manual contains important instructions for the installation of the safety brake.

This safety brake is designed and tested for roller shutters, grilles, vertical lifted curtain and similar devices and left the factory in proper good condition and fully functional. To maintain these conditions and to ensure safe operation, the user must observe all the directions and wiring information contained in this manual.

During the installation, initial operation and maintenance and testing of the safety brake, it is necessary to observe any related Health and Safety regulations applicable at the time.

Regulations:

Please ensure that any local regulations relating to the Safe Operation of Safety brakes are followed.

Only trained electrical engineers should work on electrical equipment. They must assess work, which has been assigned to them, identify potential danger sources and take suitable safety precautions.

This safety brake must only be used:

- In accordance with the terms of use
- In proper a safe and technically perfect condition

Guarantee rights and material and personal damage guarantee are excluded where the brake has:

- Not been used according to the terms of use
- Improper fitting and initial operation
- The electrical isolation switch is not connected
- Unauthorised construction changes of safety brake

If the drive mechanism is worn out, or the transmission chain is broken or other causes, in consequence the door starts to fall down.

The brake unit is designed to dissipate the „fall energy“ significantly damping the braking impact.

In the braked position the electrical disconnect switch interrupts power supply constantly therefore moving the door with the drive unit is not possible.

After the safety brake has operated (catching the door) the damping bar must be replaced. The replacement must be done by a qualified and trained fitter and the safety brake must be examined. If damages identified on the surface the complete safety brake must be changed. (See page 7, Safety brake replacement.)

MAINTENANCE AND EXAMINATION

The safety brake is maintenance-free and self-controlling.

The safety brake must be checked before initial operation and thereafter once per year by qualified personal.

Instruction for maintenance

- check mounting and all fixings are tighten and proper.
- check for any damage too and connections of the electrical switch cable
- check for any damage and corrosion of safety brake
- DO NOT test the safety brake in operation. The safety brake cannot be reset once activated.

SERVICE / REPLACEMENT PARTS / ACCESSORIES

Please note that replacement parts and accessories which have not been supplied by us have also not been tested and released by us.

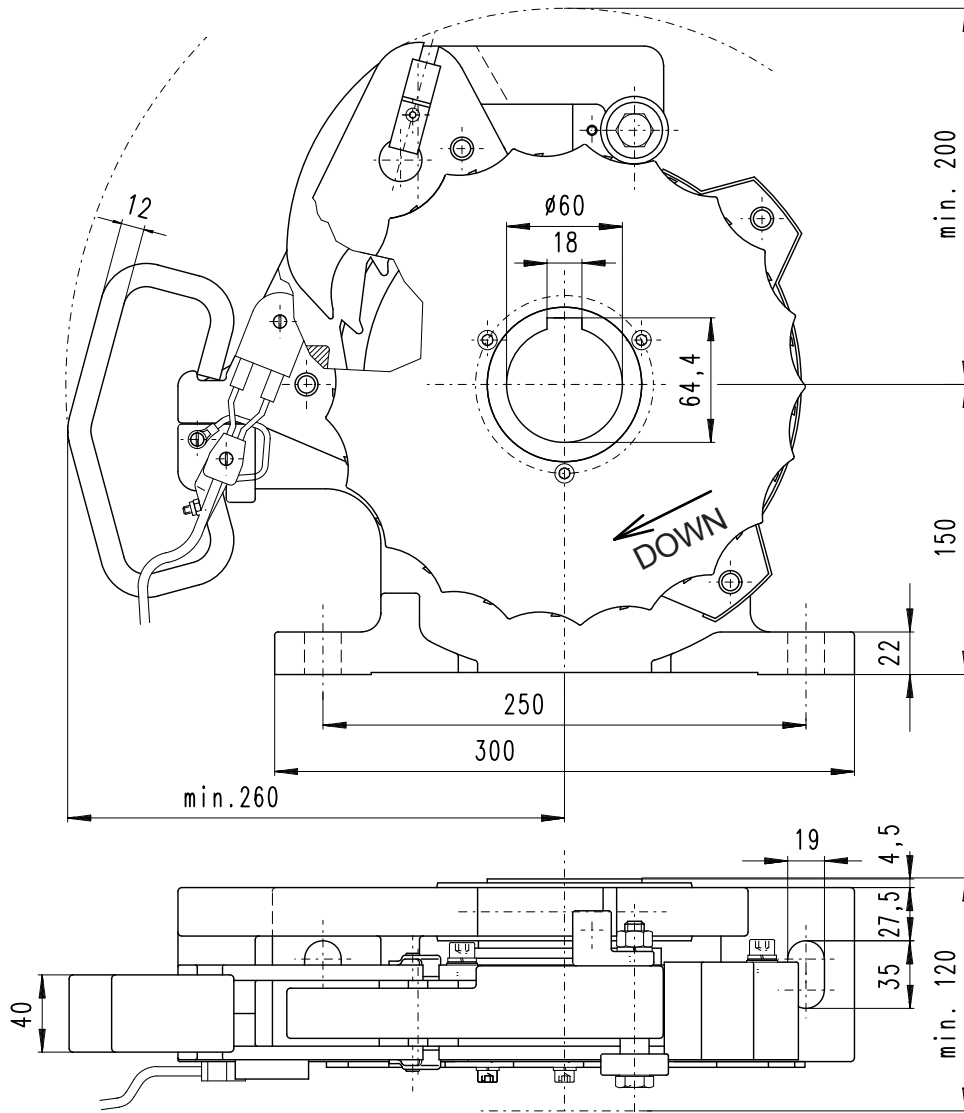
Fitting and / or using such products can therefore negatively affect the above properties of the ELEKTROMATEN® and thus reduce its safety.

GfA accepts no liability for nor provides any guarantee against damage caused by using non-original replacement parts and accessories.

Faults which the users cannot rectify themselves should only be corrected by the manufacturer of the door equipment or another specialist firm. Replacement parts can also be requested from such firms.

DIMENSIONS

52240037



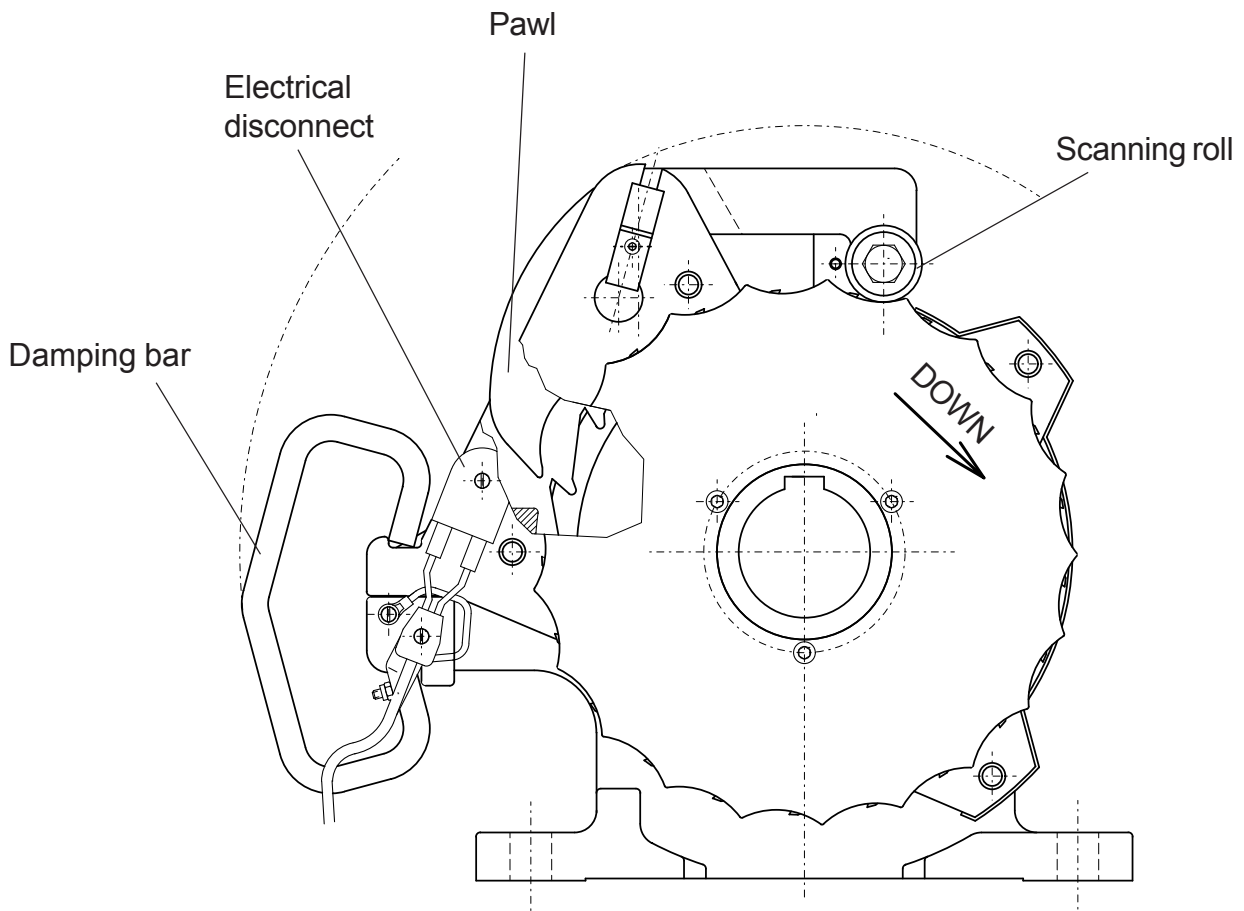
TECHNICAL DATA

Safety brake		Size 4
max. torque	Nm	2004
locking torque	Nm	6454
max. operating speed	min ⁻¹	15
hollow shaft diameter	mm	60
Temperature range		-20 to +70°C
switch protection class	IP	max. 230 / 3A 44
weight	kg	29

- We reserve the right to alter design and dimensions

Assembling:

- The installation place must be clean and vibration free.
- Only horizontal installation allowed see drawing
- Safety brake is dependent on direction of rotation (direction mark DOWN turning direction)
- The safety brake shaft, must be keyed and fitted into the full length of the hub
- When fitting the distance between safety brake and the door tube (pipe) must be as close as possible and a proper functioning of the safety brake may be not prevented.
- Fit the safety brake with 2 M 16 -8.8 / 5/8" Grade 5; hexagonal bolts and washer, which must be secured against release
- Connect electrical disconnect into electrical safety circuit of the control pane



Catching would be recognised when damping bar is distorted (bent).
The safety brake is designed for safe operation, without any failures after successful installation.

REPLACEMENT DAMPING BAR / SAFETY BRAKE

Changing the safety brake should only be undertaken by qualified personal:

- Protect the door against falling back
- Repair the cause of failure (drive mechanism, brake, chain...)
- Turn the barrel c. 90° in direction „UP“
- Replace the damping bar
- Set the door on the ground
- Disconnect the drive from electrical power and protect against accidental operation
- Do open the cover of electrical disconnect.
- Connect electrical contacts by plug-in
- Tighten the cover of electrical disconnect

After the safety brake has operated (catching the door) it must be examined by a qualified and trained fitter. If damages identified on the surface, the complete safety brake must be replaced.

- Protect the door against falling back
- Loosen and dismantle fitting bolts
- Dismantle safety brake from shaft and replace against the new safety brake. Fit new bolts and tighten.

TRANSPORT / STOCKING / DISPOSAL

The safety brake is ready to be installed and connected to power.
The transport and possible stocking should be made in the delivered (or equivalent) packing to ensure the brake is not damaged.

When being disposed of the brake needs splitting into:

- Metal parts
- plastic parts
- electric parts

DECLARATION OF INCORPORATION

for partly completed machinery in terms of



GfA-Gesellschaft für Antriebstechnik
Dr.-Ing. Hammann GmbH & Co. KG
Wiesenstraße 81
40549 Düsseldorf
Telefon: +49 (0) 211-500 90 0
Telefax: +49 (0) 211-500 90 90
www.gfa-elektromaten.de

Machinery Directive 2006/42/EG, Appendix II Part 1 B

We, the
GfA - Gesellschaft für Antriebstechnik
Wiesenstr. 81, 40549 Duesseldorf (Heerd), Germany
here by declare that the following product are conform with the
above EC guidelines and are only intended for installation in door equipment.

Safety brake

Harmonised norms applied

- EN 12453** Safety in use of power operated doors - Requirements
- EN 12604** Industrial, commercial and garage doors and gates -
Mechanical aspects- Requirements
- EN 60335-1** Household and similar electrical appliances - Safety -
Part 1: General requirements
- EN 60204** Safety of machinery - Electrical equipment of machines -
Part 1: General requirements

We are committed to submit the special documents with regard to the complete machine via our documentation department to the market surveillance authorities on a reasoned request.

Authorised representative for the compilation of the relevant technical documents

(internal EU address)

Dipl. Ing. Bernd Joachim Synowsky
Documentation representative

Incomplete machines within the meaning of the EC Directive 2006/42/EC shall only be intended to be integrated into other machines or into other incomplete machines or systems or to be assembled together with such in order to form a machine within the sense of the Directive indicated above. Therefore, this product cannot be commissioned before it is determined that the entire machine/system to which it was integrated shall comply with the provisions of the Machinery Directive indicated above.

Düsseldorf, 29. 12. 2009

Stephan Kleine
CEO


Signature