

## Subject

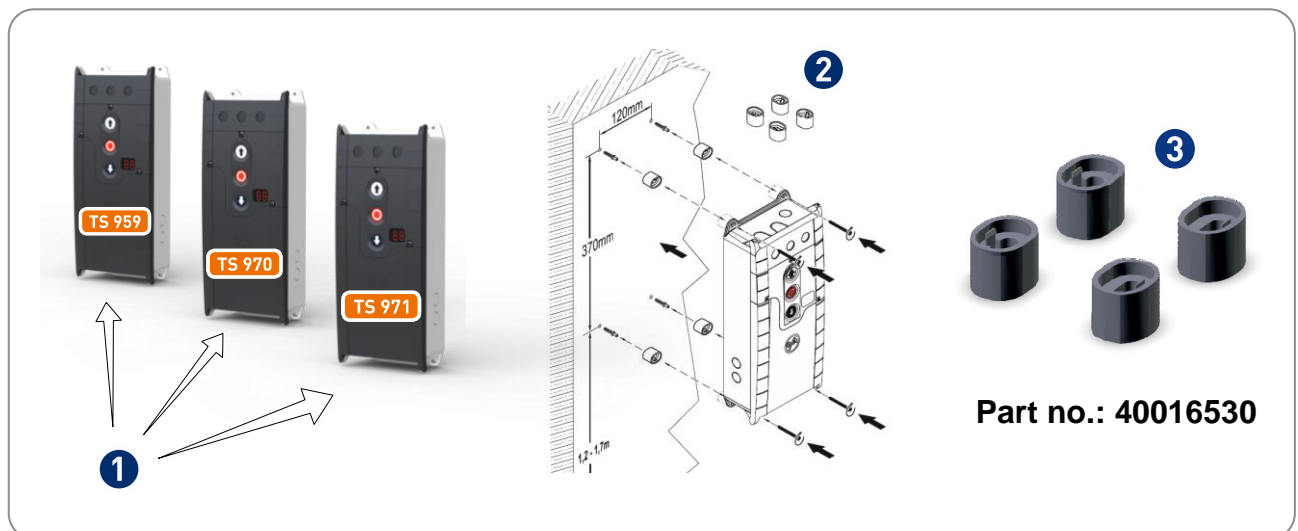
Omission of the spacer feet for TS-B door controls

## Description

The door controls TS 959, TS 970 and TS 971 (1) are currently supplied with four spacer feet made of plastic (2). According to feedback from the field, the spacer feet are rarely used and often discarded unused.

Therefore, we will remove the spacer feet from the standard delivery content of door controls starting around 08/2022 to prevent unnecessary waste. If required, the spacer feet can still be ordered separately as a set of 4 under part no. 40016530 (3).

## Figure



## Product

Designation	Description	Part number
Spacer foot TS-B	4 pcs.	40016530

## Notes

Do you have any questions about the change? Your sales representative will gladly advise you:

<https://gfa-elektromaten.com/en-DE/start.html>