

## Subject

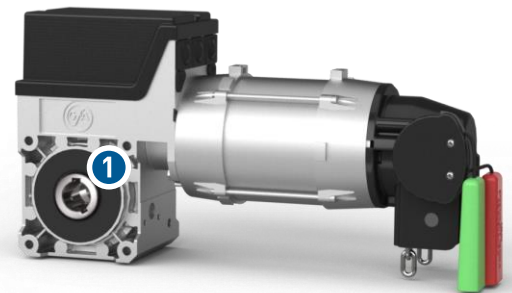
ELEKTROMATEN SG50 with hollow shaft  $d=35$  mm – Omission of keyway 6 mm

## Description

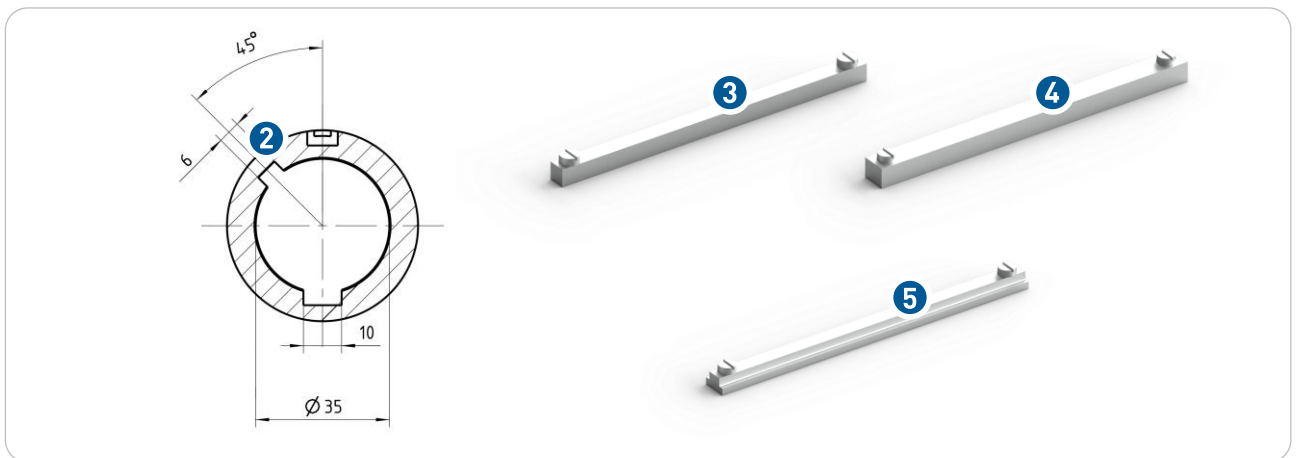
Sectional door drive ELEKTROMATEN SE with gearbox series SG50 and hollow shaft 35 mm were previously supplied with two different keyways (1).

The smaller 6 mm keyway will be omitted in the future (2). The key B 6x6x130 (3) previously supplied is also no longer available.

The key B 10x8x130 (4) is still part of the delivery. A special key (10 to 6 – for the repairing of older door systems for instance  $\Rightarrow$  (5)) can be offered on request.



## Figures



## Products

	Description	Part no.	Use
(3)	Key cpl. B 6x6x130	30004487	omitted
(4)	Key cpl. B 10x8x130	30004486	still part of the delivery
(5)	Special key cpl. B 10x10-6x130	30006067	on request

## Notes

The change is going to implemented in November 2022. Do you have any further questions?

Your sales representative will gladly advise you: <http://gfa-elektromaten.com/en-DE/contact.html>