

## Subject

ATEX – Changes in drive units and door controls

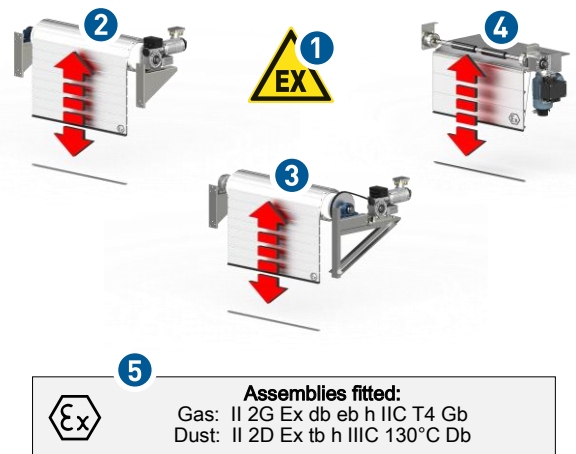
## Description

GfA offers a wide range of ELEKTROMATEN and door controls for potentially explosive atmospheres (1). These include Safedrive units SI (2), chain drive units KE (3) and sectional door drive units SE (4)

All Ex drive units with the "Flameproof enclosure Ex-de" type of protection and temperature class T4 (5) will receive new electric motors from 04/2023 and also new part numbers due to a necessary change of supplier.

Drive units with the "Flameproof enclosure Ex-de" type of protection and temperature class T3 will no longer be offered in the future.

## Figures

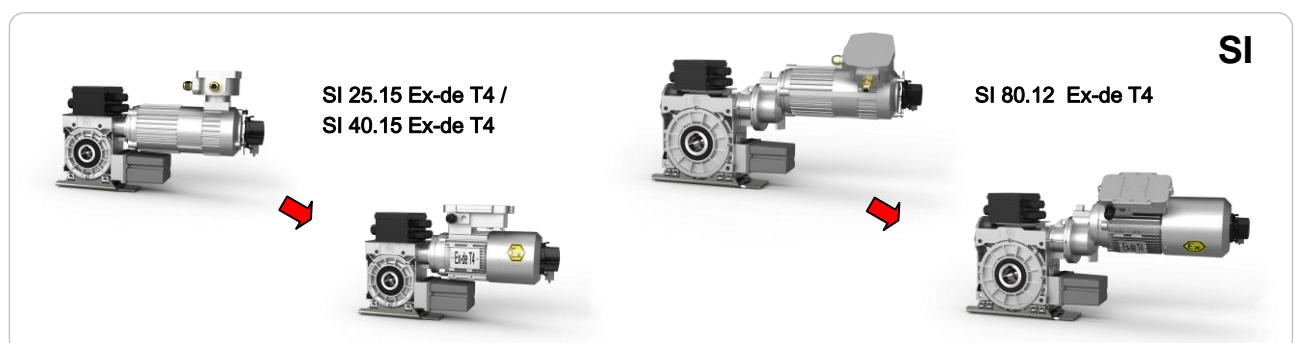


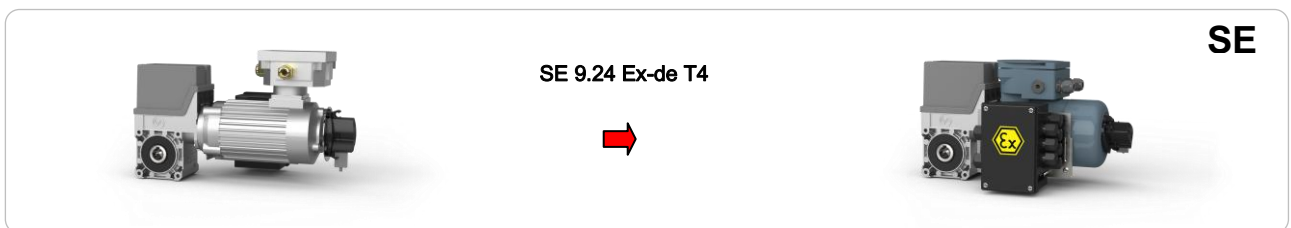
## Product

Designation	Series	Output-torque [Nm]	Output speed [rpm]	Hollow shaft Ø [mm]	Part no. Previous	Part no. New
<b>ELEKTROMATEN ATEX Ex-de</b>						
SI 25.15 Ex-de T3	SG85F	250	15	30.00	40002590	–
SI 25.15 Ex-de T4	SG85F	250	15	30.00	10003248	10005483
SI 25.15 Ex-de T4	SG85F	250	15	40.00	10005316	10005485
SI 40.15 Ex-de T3	SG85F	400	15	40.00	40002592	–
SI 40.15 Ex-de T4	SG85F	400	15	40.00	10003423	10005484
SI 80.12 Ex-de T4	SG115F	800	12	55.00	10002639	10005486
KE 9.24 Ex-de T4	SG50	90	24	25.00	10002618	10005489
KE 40.24 Ex-de T4	SG85	400	24	40.00	10002551	–
KE 35.24 Ex-de T4 <sup>1)</sup>	SG85	350	24	40.00	–	10005479
KE 80.12 Ex-de T4	SG115	800	12	55.00	10002640	10005490
SE 9.24 Ex-de T4	SG50	90	24	25.40	10002620	10005491

1) Size KE 40.15 Ex-de T4 is also available on request

## Illustrations of the drive units





## GfA door controls for Ex drive units

The changes to the T4 motors also result in changes to the GfA door controls for Ex applications. Until now, the door controls were selected according to the power of the motors. The selection is now based on the type of the drive unit. The three familiar door controls TS 971 "Automatic within the Ex area" (6), TS 971 "Hold-to-run outside the Ex area" (7) and TS 971 "Automatic outside the Ex area" (8) remain available as usual.



## Product

Designation	Description	Part no.
<b>TS 971 – use inside the Ex area</b>		
TS 971 automatic ATEX II 2 G/D	for motors with 1.10 kW	20003679.00001
TS 971 automatic ATEX II 2 G/D	for KE 9.24 Ex-de T4 / SE 9.24 Ex-de T4	20003679.00002
TS 971 automatic ATEX II 2 G/D	for all other ELEKTROMATEN Ex-e and Ex-de	20003679.00003
<b>TS 971 – use outside the Ex area</b>		
TS 971 hold-to-run ATEX	for motors with 1.10 kW	20003694.00001
TS 971 hold-to-run ATEX	for KE 9.24 Ex-de T4 / SE 9.24 Ex-de T4	20003694.00002
TS 971 hold-to-run ATEX	for all other ELEKTROMATEN Ex-e and Ex-de	20003694.00003
TS 971 automatic ATEX	for motors with 1.10 kW	20003693.00001
TS 971 automatic ATEX	for KE 9.24 Ex-de T4 / SE 9.24 Ex-de T4	20003693.00002
TS 971 automatic ATEX	for all other ELEKTROMATEN Ex-e and Ex-de	20003693.00003

## Notes

- Ex drive units with the "increased safety" type of protection and temperature class T3 remain unchanged.
- The complete product range with current documentation (including installation drawings) is available at: [https://gfa-elektromaten.com/en-DE/products\\_SP.html#ELEKTROMATEN\\_SI\\_ATEX](https://gfa-elektromaten.com/en-DE/products_SP.html#ELEKTROMATEN_SI_ATEX)
- The change of supplier is partly associated with higher purchase prices affecting the prices of the drive units with an output torque of 800 Nm (SG115).
- Do you have further questions about our products and prices? Your contact person will gladly advise you: <https://gfa-elektromaten.com/en-DE/contact.html>