

Subject

ELEKTROMATEN® of series SG85 and SG115 with alternative brakes

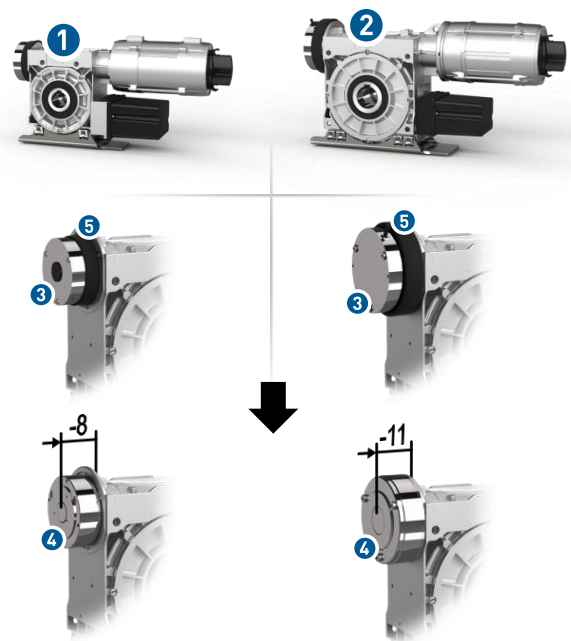
Description

ELEKTROMATEN of the SG85 (1) and SG115 (2) gearbox series with a brake on the gearbox side can also be successively equipped with brakes from an alternative supplier from 02/2024.

The alternative brakes (4) used are functionally identical to the previous types (3). There are minor geometric differences. The brakes are a little shorter. The rubber ring (5) previously used is also no longer needed. The degree of protection remains unchanged.

Drive units listed in the catalogue that may be affected by the change are listed in the tables (6) below.

Figures



6 Tables

Designation	Series	Output torque [Nm]	Output speed [rpm]	Hollow shaft Ø [mm]	Part no.
ELEKTROMATEN SI					
SI 10.70	SG85F	100	70	30	10002692
SI 10.70	SG85F	100	70	40	10002693
SI 13.70	SG85F	130	70	30	10002670
SI 13.70	SG85F	130	70	40	10002694
SI 20.90	SG85F	200	90	30	10002698
SI 20.90	SG85F	200	90	40	10002699
SI 25.24	SG85F	250	24	30	10002564
SI 25.24	SG85F	250	24	31.75	10002678
SI 25.35	SG85F	250	35	30	10002565
SI 25.35	SG85F	250	35	31.75	10002679
SI 25.60	SG85F	250	60	40	10002657
SI 28.46	SG85F	280	46	40	10002665
SI 35.30	SG85F	350	30	40	10002566
SI 40.24	SG85F	400	24	40	10002567
SI 55.10	SG85F	550	10	40	10002479
SI 55.15	SG85F	550	15	40	10002480
SI 65.10	SG85F	650	10	40	10005061
SI 65.15	SG85F	650	15	40	10005062
SI 60.24	SG115F	600	24	55	10002623
SI 75.10	SG115F	750	10	55	10002402
SI 75.15	SG115F	750	15	55	10002535
SI 75.24	SG115F	750	24	55	10002624
SI 100.10	SG115F	1000	10	55	10002536
SI 100.24	SG115F	1000	24	55	10003286
SI 140.7	SG115F	1400	7	55	10002537
SI 180.6	SG115F	1800	6	60	10003765

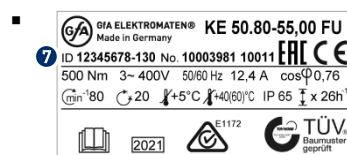
Designation	Series	Output torque [Nm]	Output speed [rpm]	Hollow shaft- Ø [mm]	Part no.
ELEKTROMATEN SI FI					
SI 3.350 FI	SG85F	80	30-300	30	10003923
SI 3.350 FI	SG85F	80	30-300	40	10004108
SI 10.200 FI	SG85F	100	25-200	30	10004460
SI 10.200 FI	SG85F	100	25-200	40	10004462
SI 15.140 FI	SG85F	150	19-140	30	10004456
SI 15.140 FI	SG85F	150	19-140	40	10004459
SI 20.100 FI	SG85F	200	18-100	30	10004224
SI 20.100 FI	SG85F	200	18-100	40	10004227
SI 25.60 FI	SG85F	250	10-60	30	10003845
SI 25.60 FI	SG85F	250	10-60	31.75	10004054
SI 25.60 FI	SG85F	250	10-60	40	10003871
SI 25.80 FI	SG85F	250	18-80	30	10003827
SI 25.80 FI	SG85F	250	18-80	31.75	10003828
SI 25.80 FI	SG85F	250	18-80	40	10003826
SI 25.150 FI	SG85F	250	17-150	40	10003834
SI 35.100 FI	SG85F	350	15-100	40	10003833
SI 40.40 FI	SG85F	400	9-40	40	10003672
SI 45.60 FI	SG85F	450	7-60	40	10003903
SI 55.20 FI	SG85F	550	4-20	40	10005164
SI 55.40 FI	SG85F	550	8-40	40	10003738
SI 50.80 FI	SG115F	500	22-80	55	10003743
SI 60.55 FI	SG115F	600	8-55	55	10004299
SI 75.20 FI	SG115F	750	5-20	55	10005349
SI 75.45 FI	SG115F	750	8-45	55	10003831
SI 100.30 FI	SG115F	1000	5-30	55	10003917
SI 140.20 FI	SG115F	1400	5-20	55	10003697
SI 180.12 FI	SG115F	1800	5-12	60	10004055

Designation	Series	Output torque [Nm]	Output speed [rpm]	Hollow shaft- Ø [mm]	Part no.
ELEKTROMATEN KE					
KE 20.24	SG85	200	24	40	10002232
KE 30.24	SG85	300	24	40	10002233
KE 40.24	SG85	400	24	40	10002234
KE 60.24	SG115	600	24	55	10002538
KE 80.24	SG115	800	24	55	10002539
KE 120.24	SG115	1200	24	55	10002570

Designation	Series	Output torque [Nm]	Output speed [rpm]	Hollow shaft- Ø [mm]	Part no.
ELEKTROMATEN KE FI					
KE 20.60 FI	SG85	200	10-60	40	10003908
KE 40.40 FI	SG85	400	9-40	40	10003840
KE 50.80 FI	SG115	500	22-80	55	10003981
KE 60.45 FI	SG115	600	7-45	55	10003904
KE 80.40 FI	SG115	800	10-40	55	10003905
KE 120.30 FI	SG115	1200	5-30	55	10003906

Notes

- The change will take place from 02/2024.
- Part and model numbers remain unchanged even when alternative brakes are used.
- The drawings of the drive units always show the variant with the larger space requirement.
- The different types of brakes are not interchangeable. They must be replaced with the factory-installed type if a replacement is necessary. When ordering replacement brakes, please state the serial number (ID) of your drive unit to ensure correct delivery (7).



- Your sales representative will gladly advise you: <https://gfa-elektromaten.com/en-DE/contact.html>