

Subject

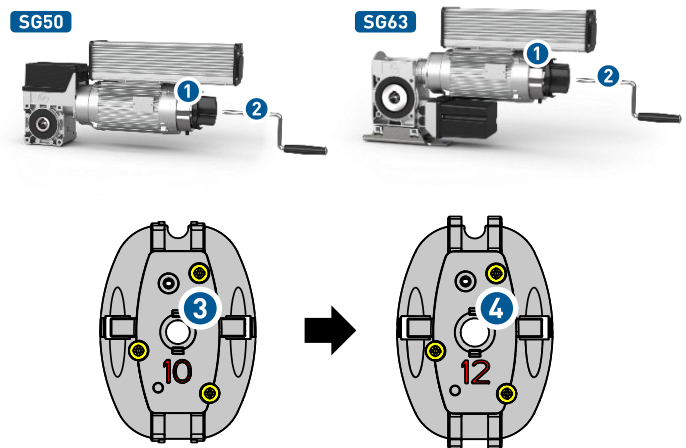
Updated emergency hand cranks for ELEKTROMATEN® SG50 and SG63 with motor-mounted brakes

Description

Some ELEKTROMATEN of the SG50 and SG63 series with motor-mounted brakes (1) and emergency manual operation via hand crank will receive an emergency hand crank with a larger diameter (2) starting from 05/2024

Previously, the drive units were delivered with an emergency hand crank with a \varnothing of 10 mm (3). Now, the drives will receive hand cranks with a \varnothing of 12 mm (4).

Figure



Products

The following articles are affected by the update.

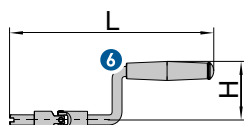
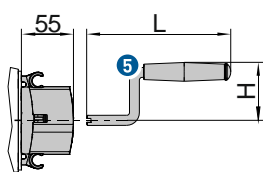
Designation	Marking	Series	Output torque [Nm]	Output speed [rpm]	Hollow shaft - \varnothing [mm]	Part no.
ELEKTROMATEN SI						
SI 3.350-30,00 FI	CE	SG50F	30	30-350	30,00	10005055
SI 3,5.200-25,4 FI	CE	SG50F	35	30-200	25,40	10005060
SI 4.250-25,0 FI UR	UR	SG50F	40	30-250	25,00	10004992
SI 4.250-25,0 FI	CE	SG50F	40	30-250	25,00	10004042
SI 4.250-25,4 FI	CE	SG50F	40	30-250	25,40	10004057
SI 4.250-30,0 FI	CE	SG50F	40	30-250	30,00	10004043
SI 4.250-30,0 FI	CE	SG50F	40	30-250	30,00	10004043
SI 6.160-25,0 FI	CE	SG50F	60	25-160	25,00	10004024
SI 6.160-25,4 FI UR	UR	SG50F	60	25-160	25,40	10004483
SI 6.160-25,4 FI	CE	SG50F	60	25-160	25,40	10004025
SI 6.160-30,0 FI	CE	SG50F	60	25-160	30,00	10004062
SI 8.120-25,0 FI	CE	SG50F	80	30-120	25,00	10005181
SI63 3,5.350-25,0 FI	CE	SG63F	35	30-350	25,00	10003987
SI63 3,5.350-25,4 FI	CE	SG63F	35	30-350	25,40	10004778
SI63 3,5.350-30,0 FI	CE	SG63F	35	30-350	30,00	10003928
SI63 3,5.350-31,75 FI	CE	SG63F	35	30-350	31,75	10005262
SI63 3,5.350-40,0 FI	CE	SG63F	35	30-350	40,00	10004037
SI63 5.250-25,0 FI	CE	SG63F	50	30-250	25,00	10003888
SI63 5.250-25,4 FI UR	UR	SG63F	50	30-250	25,40	10004668
SI63 5.250-25,40 FI	CE	SG63F	50	30-250	25,40	10003889
SI63 5.250-30,0 FI	CE	SG63F	50	30-250	30,00	10005058
SI63 5.250-30,0 FI	CE	SG63F	50	30-250	30,00	10003745
SI63 5.250-30,0 FI	CE	SG63F	50	30-250	30,00	10005058
SI63 5.250-31,75 FI	CE	SG63F	50	30-250	31,75	10005263
SI63 5.250-40,0 FI	CE	SG63F	50	30-250	40,00	10003881
SI63 8.180-25,0 FI	CE	SG63F	80	30-180	25,00	10003896
SI63 8.180-25,0 FI	CE	SG63F	80	30-180	25,00	10003896

SI63 8.180-25,0 FI	CE	SG63F	80	30-180	25,00	10003896
SI63 8.180-25,00	CE	SG63F	80	180	25,00	10003883
SI63 8.180-25,4 FI	CE	SG63F	80	30-180	25,40	10003897
SI63 8.180-25,40	CE	SG63F	80	180	25,40	10005113
SI63 8.180-30,0 FI UR	UR	SG63F	80	30-180	30,00	10004332
SI63 8.180-30,0 FI	CE	SG63F	80	30-180	30,00	10005405
SI63 8.180-30,0 FI	CE	SG63F	80	30-180	30,00	10003843
SI63 8.180-30,0 FI	CE	SG63F	80	30-180	30,00	10005405
SI63 8.180-30,00	CE	SG63F	80	180	30,00	10003915
SI63 8.180-31,75 FI UR	UR	SG63F	80	30-180	31,75	10005119
SI63 8.180-31,75 FI	CE	SG63F	80	30-180	31,75	10004505
SI63 8.180-35,0 FI	CE	SG63F	80	30-180	35,00	10004328
SI63 8.180-40,0 FI	CE	SG63F	80	30-180	40,00	10005210
SI63 8.180-40,0 FI	CE	SG63F	80	30-180	40,00	10005210
SI63 8.180-40,0 FI	CE	SG63F	80	30-180	40,00	10003898
SI63 8.180-40,00	CE	SG63F	80	180	40,00	10004158
SI 13.100-25,0 FI BRM	CE	SG63F	130	18-100	25,00	10005369
SI 13.100-25,0 FI BRM	CE	SG63F	130	18-100	25,00	10005195
SI 13.100-25,4 FI BRM	CE	SG63F	130	18-100	25,40	10005196
SI 13.100-30,0 FI BRM	CE	SG63F	130	18-100	30,00	10005198
SI 13.100-31,75 FI UR	UR	SG63F	130	18-100	31,75	10005344
SI 13.100-31,75 FI BRM	CE	SG63F	130	18-100	31,75	10005199
SI 13.100-35,0 FI BRM	CE	SG63F	130	18-100	35,00	10005313
SI 13.100-40,0 FI BRM	CE	SG63F	130	18-100	40,00	10005403
SI 13.100-40,0 FI BRM	CE	SG63F	130	18-100	40,00	10005200
SI 17.24-30,0	CE	SG63F	170	24	30,00	10005323
SI 17.60-25,0 FI	CE	SG63F	170	8-60	25,00	10004186
SI 17.60-25,4 FI	CE	SG63F	170	8-60	25,40	10003900
SI 17.60-30,0 FI	CE	SG63F	170	8-60	30,00	10003844
SI 17.60-31,75 FI	CE	SG63F	170	8-60	31,75	10003901
SI 17.60-35,0 FI	CE	SG63F	170	8-60	35,00	10004796
SI 17.60-40,0 FI	CE	SG63F	170	8-60	40,00	10003902

Designation	Marking	Series	Output torque [Nm]	Output speed [rpm]	Hollow shaft - Ø [mm]	Part no.
ELEKTROMATEN SE						
SE 3.350-25,0 FI	CE	SG50	30	30-350	25,00	10004023
SE 3.350-25,4 FI	CE	SG50	30	30-350	25,40	10004190
SE 4.250-25,0 FI	CE	SG50	40	30-250	25,00	10004009
SE 17.60-30,0 FI	CE	SG63	170	8-60	30,00	10005051

Notes

The update will take place from 05/2024 onwards. Please note the delivered diameter when reordering emergency hand cranks. This can be read on the hand crank switch housing of the drive (see ③+④ on page 1). **Please do not use a Ø 10 mm hand crank on a Ø 12 mm housing under any circumstances.** The following articles are available for Ø 12 mm.



	Designation	Part no.	Ø	L	H
⑤	Hand crank NHK	30002749	12	235	122
⑥	Hand crank with knuckle joint NHKK	30002750	12	425	152

Do you have further questions about the changeover? Your sales representative will gladly advise you:

<https://gfa-elektromaten.com/en-DE/contact.html>