

Subject

GfA catalogue edition ① from 2023

Description of the changed catalogue content

The new GfA product catalogue (①) has been released. It includes the following changes.



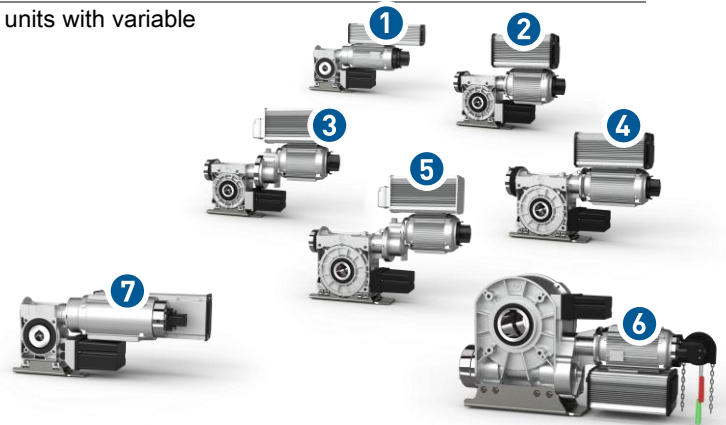
0 Information material and changes across chapters

- The GfA company information has been updated (①). Two added pages provide information on GfA gearbox types and products for special requirements.
- Technical data and drawings have been updated. Due to normative requirements, movements/h were changed to cycles/h (②). The latest installation instructions and drawings are now available for download on our website (③).



1 Safedrive ELEKTROMATEN SI

- The following drive units have been added to the SI drive units with variable speed (FI):
 - **SG63F**: SI 17.30 FI (①)
 - **SG85F**: SI 8.300 FI (②), SI 55.20 FI (③)
 - **SG115F**: SI 60.55 FI (④), SI 75.20 FI (⑤)
 - **SG186F**: SI 260.12 FI, SI 360.12 FI (⑥)
- The SI 13.100 FI drive unit now has a brake on the motor instead of on the gearbox.
- The option of the rotated frequency-inverter motor has been added (⑦).



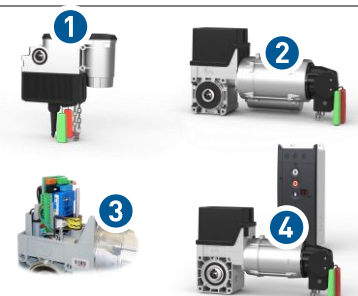
2 ELEKTROMATEN KE chain drive

- FI drive units:
 - The option of the rotated frequency-inverter motor has been added (①).



3 Sectional-door-drive ELEKTROMATEN SE

- **SG40**: the SE 8.60 FI drive unit is now supplied as standard with shifter cable and 4 m circumferential chain (①).
- **SG50**: the SE 14.21 WS drive unit was added (②).
- **SG50**: the option of the rotated frequency-inverter motor has been added.
- **SG50**: the TSE 5.24 WS drive unit (③) with integrated hold-to-run control T 801 is no longer listed in the catalogue. Alternatively, we recommend the SE 5.24 drive unit in combination with the TS 959 door control (④).



4 Sliding-door-drive ELEKTROMATEN ST

- The drive units with a vertical mounting position have been added (1).
- The TS 400 sliding-door control has now a third contactor (2).
- The hold-to-run sliding-door control WS 905 (3) has been flagged as discontinued as it no longer conforms to standards. This unit is only available as a spare part.



5 Folding-door-drive ELEKTROMATEN FT

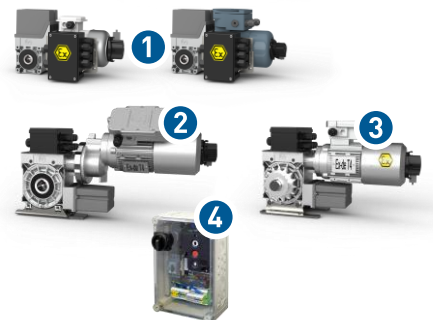
- No change to the proven products for folding doors (1).



6 Special ELEKTROMATEN SP

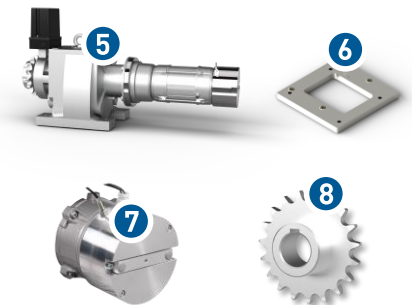
ATEX drive units

- The drive units with the Ex-e T3 and Ex-de T4 types of protection have been equipped with new electric motors (1).
- The SI 55.12 Ex-de safedrive unit has been added (2).
- The KE 40.24 chain drive unit becomes KE 35.24 (3).
- The door controls for Ex drive units (4) have been adapted to the new electric motors. The design is based on the motor protection switches on the drive unit.



Fire-protection drives FS

- The drive units now have new spur gears (5). Special intermediate plates (6) are available to adapt the new drive units to existing door designs.
- FS drive units are now listed that work with a higher output speed when triggered.
- An optional switching sensor (7) allows the evaluation of the universal brake's operating status.
- The matching sprockets and chains for the FS drive units (8) have been added.



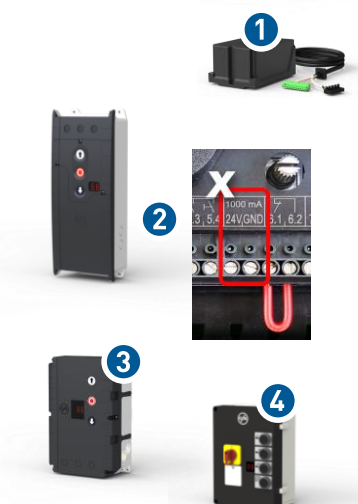
7 Safety brakes FG

- No change to the proven safety brakes (1).



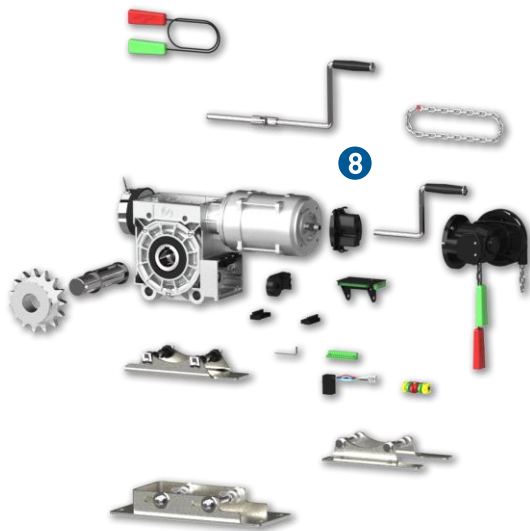
8 Door controls TS

- The illustrations have been updated.
- The hold-to-run door control WS 900 with two contactors (1) has been flagged as discontinued as it no longer conforms to standards. This unit is only available as a spare part. The variant with three contactors remains available as a standard item.
- Variants of the TS 971 door control are now available with 1,000 mA DC for external devices (2). The TS 971 door control now only has one UBS connecting socket.
- The TS 981 door control with software 3.0 now also meets the requirements of the current EN 12453 standard (3).
- The dock-leveller control LB 700 (4) is now only available as a variant without a control device for the ELEKTROMATEN TSE 5.24 WS (see 3 - Sectional door ELEKTROMATEN SE).



9 Accessories ZB

- The chapter has been extensively revised and completed in the range of safety edges (1).
- Spiral cables with kink protection (2) and increased protection for special requirements (3) have been added to the OSE optical safety edges. These spiral cables have acid or oil-resistant lines, an additional fastening for the line and venting of the door junction box.
- The universal control unit 690 (4) for electric and pneumatic safety edges enabling door operation in self-hold close in combination with the WS 900 reverse contactor control is now only available as a spare part due to lack of conformity to standards. This control is no longer listed in the catalogue.
- The products of safety against entrapment have been supplemented.
- The type B (5) cable drums have been improved. A variant for 40 mm shafts has been added.
- Sprockets and sprocket discs (6) have been completed and are now listed in the accessories chapter.
- Various safedrive and adapter shafts (7) have been added to adapt GfA ELEKTROMATEN to different door designs.
- The spare parts sheets have been updated (8).



Notes

The complete GfA catalogue is available for [download on the Internet](#). Individual catalogue sheets are allocated directly to [each product](#). The price of the TS 981 door control has been adjusted as announced in Technical Information 120 of 2022. You can obtain the complete price information from your [sales representative](#). Please contact your sales representative if you have any further queries.