

Safety brakes FG

FG 40-30
FG 40-31,75
FG 40-35
FG 80-40
FG 120-50

Anti-fallback device for all rising loads to be prevented from falling back

General description

- Compact design with the same outer dimensions for all sizes
- Visual indication of the triggering mechanism provided by a plunger:
 - **A** = Operating position
 - **B** = Braking position
- Max. operating speed OPEN up to 45 rpm
- Switch for safety circuit in protection class IP65
- Floating foot for horizontal installation
- Dependent on the direction of rotation
- Maintenance-free and self-controlling

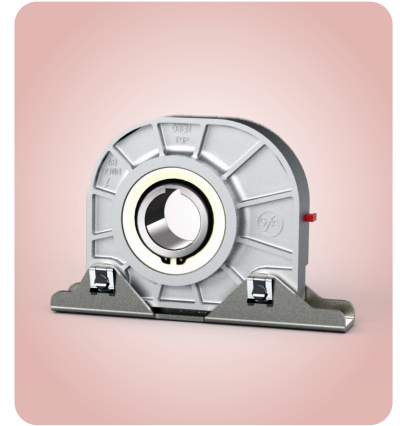
Description of functions

- Locking catch and locking wheel (triggering mechanism) trigger the braking action if the max. operation speed is exceeded.
- The special tooth geometry of the ratchet wheel reduces reaction time and thus the braking distance.
- The structure is only subject to extremely low braking moments.

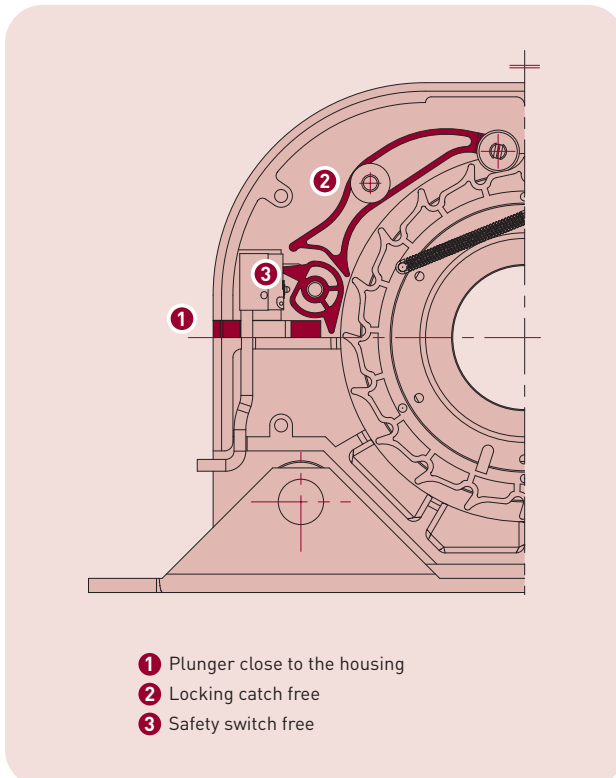
Approvals and certificates

Certificate of conformity to DIN EN 12604/12605
Certificate no.: TorFV 3/009
Test report: 24034382

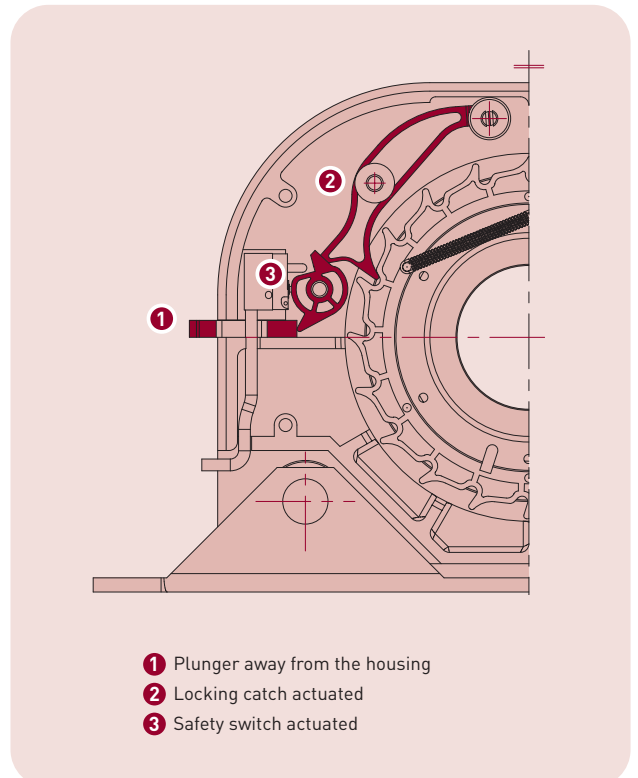
TÜV SÜD
Industrieservice GmbH



A = Operating position



B = Braking position

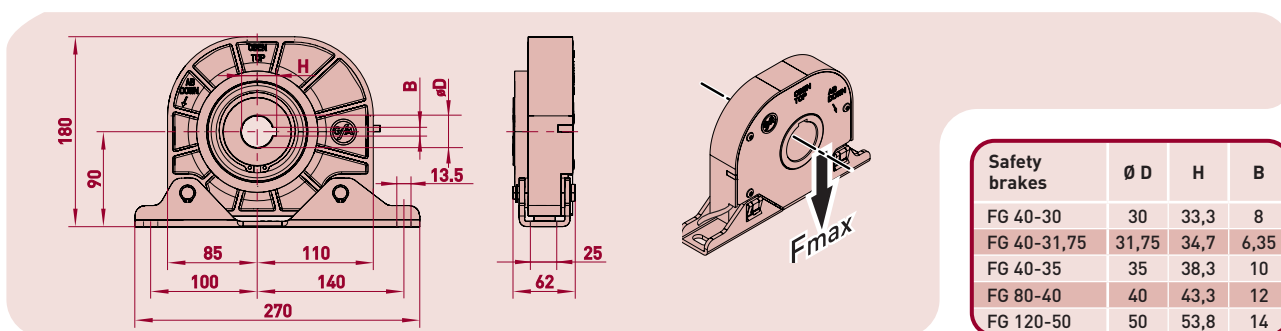


1. Technical data

Safety brakes		FG 40-30	FG 40-31,75	FG 40-35	FG 80-40	FG 120-50
Max. torque	Nm	400	400	400	800	1200
Max. operating speed OPEN / CLOSE	rpm	45 / 24 (24 / 24) ¹	45 / 24 (24 / 24) ¹	45 / 24	45 / 24 (24 / 24) ¹	45 / 24 (24 / 24) ¹
Hollow-shaft Ø	mm	30	31,75	35	40	50
Locking torque ²	Nm	1150	1150	1150	2260	3530
Safety brake (approval number)		TorFV 3 / 009	TorFV 3 / 009	TorFV 3 / 009	TorFV 3 / 009	TorFV 3 / 009
Admissible bearing load F_{max} ³	N	3000	3000	3000	4500	6000
Temperature range	°C	-20..+60 [-20..+40] ¹	-20..+60 [-20..+40] ¹	-20..+60	-20..+60 [-20..+40] ¹	-20..+60 [-20..+40] ¹
Degree of protection	IP	65	65	65	65	65
Weight	kg	4,1	3,8	3,9	3,9	3,9
Part no. installation drawing (dxf, dwg)		50000724	50000724	50000724	50000724	50000724
Part no. safety brakes		10002270.00001	10004064.00001	10002526.00001	10002271.00001	10002272.00001
Part no. safety brakes (ATEX-T3) ¹		10002532.00001	10005266.00001	--	10002533.00001	10002534.00001

¹ ATEX → II 2G Ex h IIC T3 Gb · ² See 4.2 · ³ See 2.

2. Dimensions



■ Permitted position of installation: Horizontal (as shown), observe direction of rotation

3. Selection chart

Safety brakes	Tube-Ø [mm]	Door width Door height	3000 [mm]		5000 [mm]			7000 [mm]		
			3000	5000	3000	5000	7000	3000	5000	7000
FG 40-30	133,0		4728	3875	4701	3853	3853	4446	3831	--
FG 40-31,75	159,0		4244	3584	4202	3549	3549	4161	3514	--
FG 40-35	177,8		3884	3352	3818	3294	3294	3751	3236	--
FG 80-40	159,0		7208	6060	7167	6026	5199	--	--	--
	177,8		6637	5703	6571	5646	4928	6505	5590	--
	193,7		6173	5401	6087	5326	4694	6001	5250	--
	219,0		5470	4921	5348	4811	4308	5226	4701	--
	244,5		4821	4452	4658	4302	3911	4495	4151	--
FG 120-50	159,0		11730	9912	--	--	--	--	--	--
	177,8		10816	9339	10751	9283	8135	--	--	--
	193,7		10077	8859	9992	8784	7773	9906	8709	7707
	219,0		8965	8101	8844	7991	7183	8723	7882	7085
	244,5		7947	7369	7786	7219	6588	7624	7069	6451
	273,0		6937	6606	6737	6415	5949	6536	6225	5772

■ Door weights in N ■ Extract from TÜV-reports

4. Notes

4.1 European directive

In accordance with the product standard EN 13241 Doors - and EN 12453 Safety in use of power operated doors-requirements to be observed.

4.2 Locking torque

The locking torque must not exceed the admissible loads on mechanical components such as fixing elements, shafts, keys etc.