

Safety brakes FG

FG 220-60
FG 220-65
FG 360-80

Anti-fallback device for all rising loads to be prevented from falling back

General description

- Compact design with the same outer dimensions for all sizes
- Visual indication of the triggering mechanism provided by a plunger:
 - **A** = Operating position
 - **B** = Braking position
- Max. operating speed OPEN up to 27 rpm
- Switch for safety circuit in protection class IP65
- Floating foot for horizontal installation
- Dependent on the direction of rotation
- Multiple use because of the replaceable damping plates possible
- Maintenance-free and self-controlling



Description of functions

- The release apparatus consist of the pawl and ratchet wheel. If the operation speed is exceeded, the pawl grips into the teeth of the ratchet wheel and releases the catching act. The control voltage will then be interrupted.
- The special tooth geometry of the ratchet wheel reduces reaction time, and thus the braking distance.
- The released energy is absorbed by the damping plates. Because of the excellent damping characteristics while catching, the structure is only subject to extremely low braking moments.

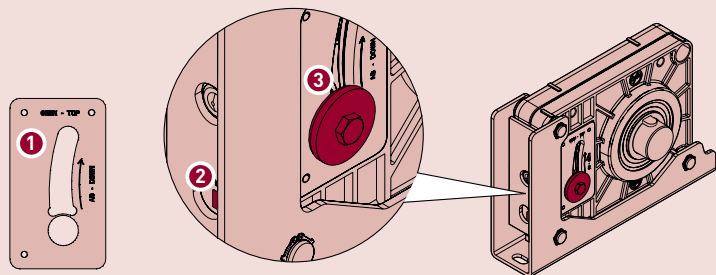
Approvals and certificates

Certificate of conformity to DIN EN 12604 / 12605
Test report: 240 43 819
ift Rosenheim GmbH



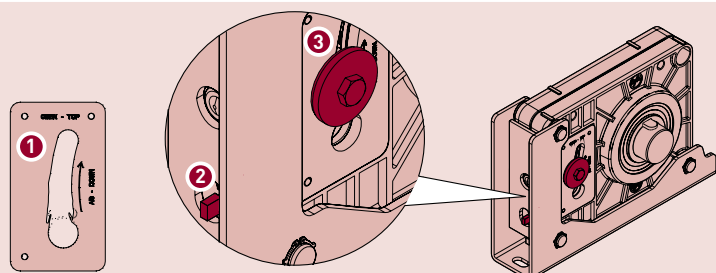
A = Operating position

- 1 Undamaged damping plate
- 2 Plunger close to the housing / Safety switch free
- 3 Locking catch in operating position



B = Braking position

- 1 Damping plate after the case of catching (replacing necessary)
- 2 Plunger away from the housing / Safety switch actuated
- 3 Locking catch actuated

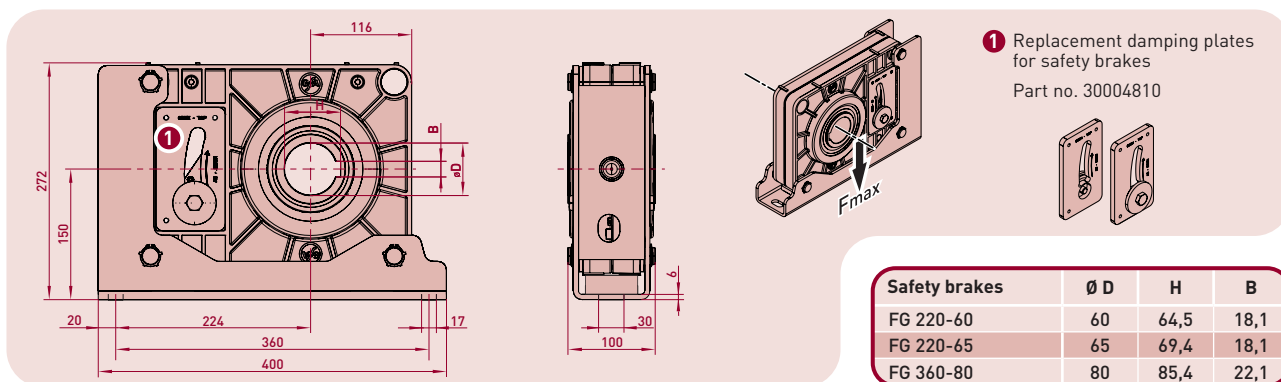


1. Technical data

Safety brakes		FG 220-60	FG 220-65	FG 360-80
Max. torque	Nm	2200	2200	3600
Max. operating speed OPEN / CLOSE	rpm	27 / 15	27 / 15	27 / 15
Hollow shaft Ø	mm	60	65	80
Locking torque ¹	Nm	6691	6691	10260
Safety brake (approval number)		240 43819	240 43819	240 43819
Admissible bearing load F_{max} ²	N	10000	15000	15000
Temperature range	°C	-20 / +60	-20 / +60	-20 / +60
Degree of protection	IP	65	65	65
Weight	kg	19,5	16,5	20,3
Part no. installation drawing (dxf, dwg)		50001517	50001518	50001518
Part no. safety brakes		10003911.00001	10003913.00001	10003912.00001

¹ See 4.2 · ² See 2.

2. Dimensions



■ Permitted position of installation: Horizontal (as shown), observe direction of rotation

3. Selection chart

Safety brakes	Tube-Ø [mm]	Door width [mm]								
		6000	7000	8000	9000	10000	11000	12000	14000	16000
FG 220-60 FG 220-65	244,5 x 6,3	15000	15000	12600	-	-	-	-	-	-
	273,0 x 6,3	13600	13600	13600	13600	13300	-	-	-	-
	298,5 x 7,1	12500	12500	12500	12500	12500	11400	-	-	-
	323,9 x 7,1	11600	11600	11600	11600	11600	11600	11600	-	-
	368,0 x 8,0	10200	10200	10200	10200	10200	10200	10200	10200	-
FG 360-80	244,5 x 6,3	24700	17300	-	-	-	-	-	-	-
	273,0 x 6,3	22200	22200	18300	-	-	-	-	-	-
	298,5 x 7,1	20000	20000	20000	20000	15500	-	-	-	-
	323,9 x 7,1	18900	18900	18900	18900	18900	15800	11900	-	-
	368,0 x 8,0	16800	16800	16800	16800	16800	16800	16800	12800	-
	406,4 x 8,8	15300	15300	15300	15300	15300	15300	15300	15300	12200
	419,0 x 10,0	14900	14900	14900	14900	14900	14900	14900	14900	14900

■ Door weights in N

4. Notes

4.1 European directive

In accordance with the product standard EN 13241 Doors- and EN 12453 Safety in use of power operated doors-requirements to be observed.

4.2 Locking torque

The locking torque must not exceed the admissible loads on mechanical components such as fixing elements, shafts, keys etc.