

# ELEKTROMATEN® TSE

## Sectional-door-drive with integrated Hold to run control panel

For driving:

Counterbalanced sectional doors with mechanical end stops in the construction of the door

Series KG50  
TSE 5.24 WS

ELEKTROMATEN TSE are special drives for sectional doors with counterbalancing and with fitted mechanical end stops in the construction of the door. The drive unit is normally fitted directly to the door shaft.

The drive unit is normally fitted directly to the door shaft.

ELEKTROMATEN TSE comprises of:  
Worm gear with hollow shaft, emergency manual operator, integrated limit switches with hold-to-run control panel and single phase electrical motor.

### Approvals and certificates

#### ELEKTROMATEN

Type test according to:  
DIN EN 12453  
DIN EN 60335-1  
DIN EN 60335-2-103  
TÜV NORD CERT GmbH

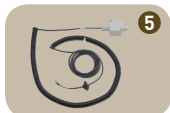
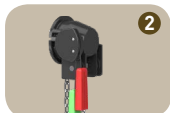


#### Holding torque

Examination of the static holding torque  
Test report 778892  
TÜV SÜD Industrieservice GmbH



Sectional door ELEKTROMATEN TSE with integrated Hold to run control panel T 801 fulfils the basic requirements for electrically-operated sectional doors, and are thus particularly economical. Their plug-in connection technology and single-phase mains supply reduces expenses.



### Emergency manual operation

- Hand crank NHK ①
- Rapid chain operator SK ②

### Limit switches

- Mechanical limit NES ③
- 2 Operating limit switches

### Mounting

- 2 Fixing screws M8x120 (standard fitting)
- Torque mount
- Flange bracket

### Control panel T801

- Hold to run function ③
- Integrated into the limit switch of the ELEKTROMATEN
- Supply voltage: 1N~230 V

### Functions

- Selectable operating mode:
  - Hold to run CLOSE / OPEN
  - Hold to run CLOSE / self-hold OPEN

### Configuration

- Plug-in connection technology for:
  - CEE plug (230 V or 400 V)
  - Connection cable / push-button
  - Spiral cable (slack-rope switch or pass-door switch connection)

### Optional accessories

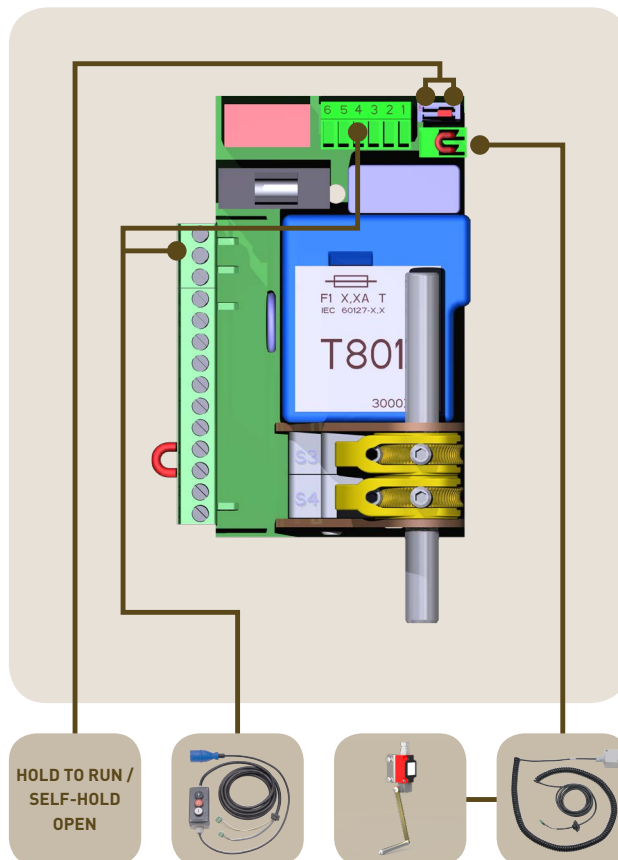
- Connection kit ④
  - To be used with CEE socket on operator height, spiral cable connection lead to the ELEKTROMATEN, consisting of:
    - Push-button OPEN-STOP-CLOSE with a pre-wired:
      - CEE plug (230 V or 400 V) with 1 m cable
      - Plug-in connection cable to lead to the ELEKTROMATEN
  - Plug-in spiral cable with terminal box ⑤ for connection kit

## 1. Technical data

ELEKTROMATEN		TSE 5.24 WS
Series		<b>KG50</b>
Output torque	Nm	50
Output speed	rpm	24
Output shaft / hollow shaft (Ø)	mm	25,4
Max. holding torque <sup>1</sup>	Nm	200
Max. door weight	N	2500
Motor power	kW	0,37
Supply voltage	V	1N-230
Operating frequency	Hz	50
Operating current <sup>2</sup>	A	3,5
Max. movements per hour <sup>3/4</sup>		12
Limit switch range <sup>5</sup>		20
Weight	kg	12
Spare parts: Catalogue page		9.052
Part no. installation drawing (dxf, dwg)		50001339
Part no. ELEKTROMATEN		10003805

Generally applies: Protection class IP65, permissible temperature range -10 °C...+40 °C (+60 °C), operating sound pressure level SPL <70 dB(A)  
<sup>1</sup> See 2.5 (Page 3.013) · <sup>2</sup> The operating current in door drives can reach up to 4x the rated current for limited periods, see 2.6 (Page 3.013) · <sup>3</sup> When using a temperature range of +40 °C...+60 °C use half of maximum movements per hour, see also 2.2 (Page 3.013) · <sup>4</sup> The specified value must be halved when considering cycles per hour according to EN 60335-2-103 · <sup>5</sup> Maximum revolutions of hollow shaft

## 2. How to connect T801

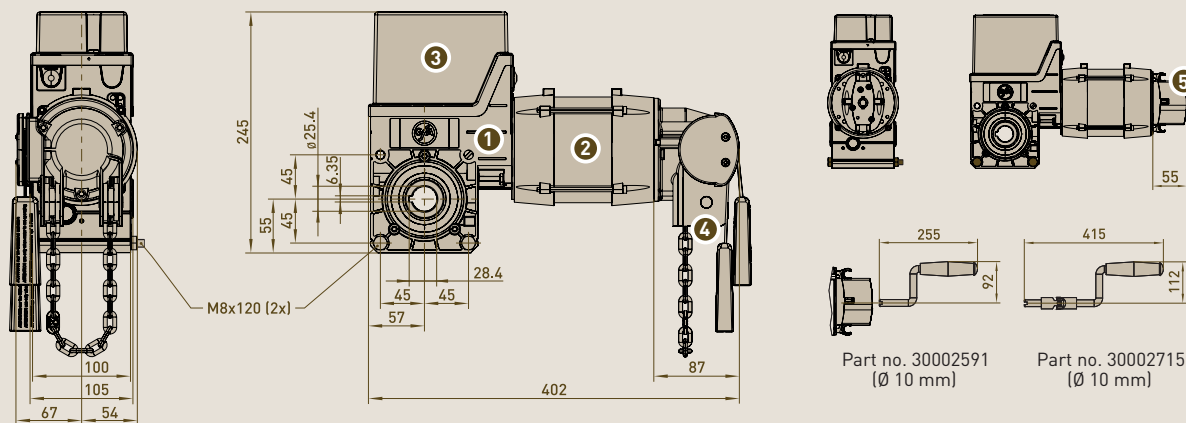


■ Connection kit: CEE-plug on the ground height, spiral cable to lead to the ELEKTROMATEN

## 3. Dimensions

TSE 5.24 WS

**KG50**



- 1 Worm gear    2 Motor    3 Limit switch with intergated Hold to run control panel T 801    4 Emergency manual operation Rapid hand chain operator SK    5 Emergency manual operation Manual hand crank operation NHK

■ Permitted installation: Horizontal (as shown) or vertical (motor at the bottom or at the top or at the top)

## 4. Attachments / Accessories

See 3.016