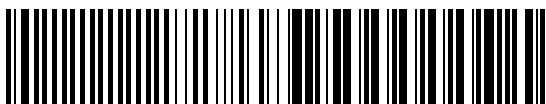


en



Electrical operating instructions

**OFF and Re-made module for airlock, with
emergency-open function**



0000000 0000 51171394 XXXXX



51171394 - c 01.2016

OPERATING INSTRUCTIONS

Page

| | |
|------------------------------------|---|
| DESCRIPTION | 4 |
| SUPPLY EMERGENCY OPEN MODULE | 4 |
| ENCLOSURE INSTALATION | 5 |
| WIRING | 6 |

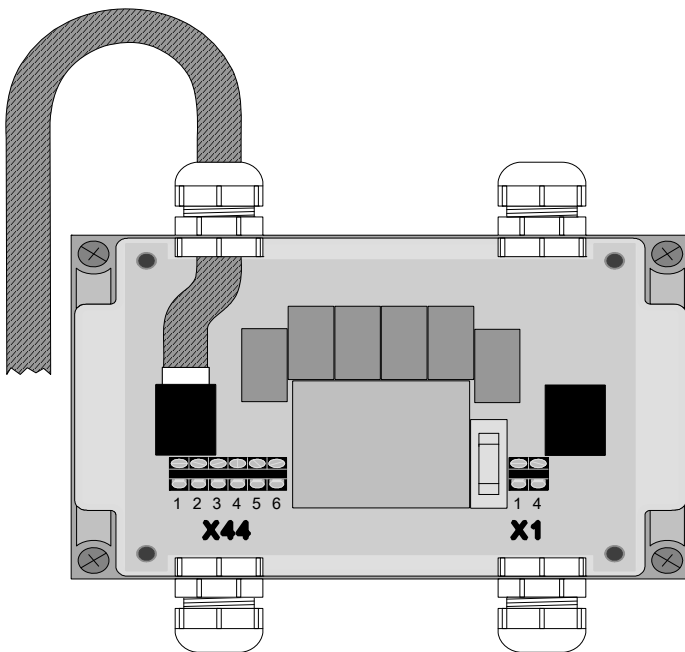
DESCRIPTION

This emergency open module must be connected into connection circuit between airlock module and control panel and supplies the following functions:

- Airlock function can be switched OFF in an emergency (panic) situation. Thereafter both doors open automatically if the push button S42 or S43 will be activated. (Principle 1; Fig.: 1 + 2)
- OFF - respectively Re-made of the airlock function when using a latching key-switch S44 (Principle 2; Fig.: 3).

Both functions are single use functions and working independent from each other, whereby OFF and Re - made of the airlock function has priority instead of the emergency function.

Emergency open module



SUPPLY EMERGENCY OPEN MODULE

The supply of 230V AC 50 Hz will be delivered about terminal X1 1.8 / 1.9 into the TS 981. In a matter of short circuit a 1A micro fuse protects the system.

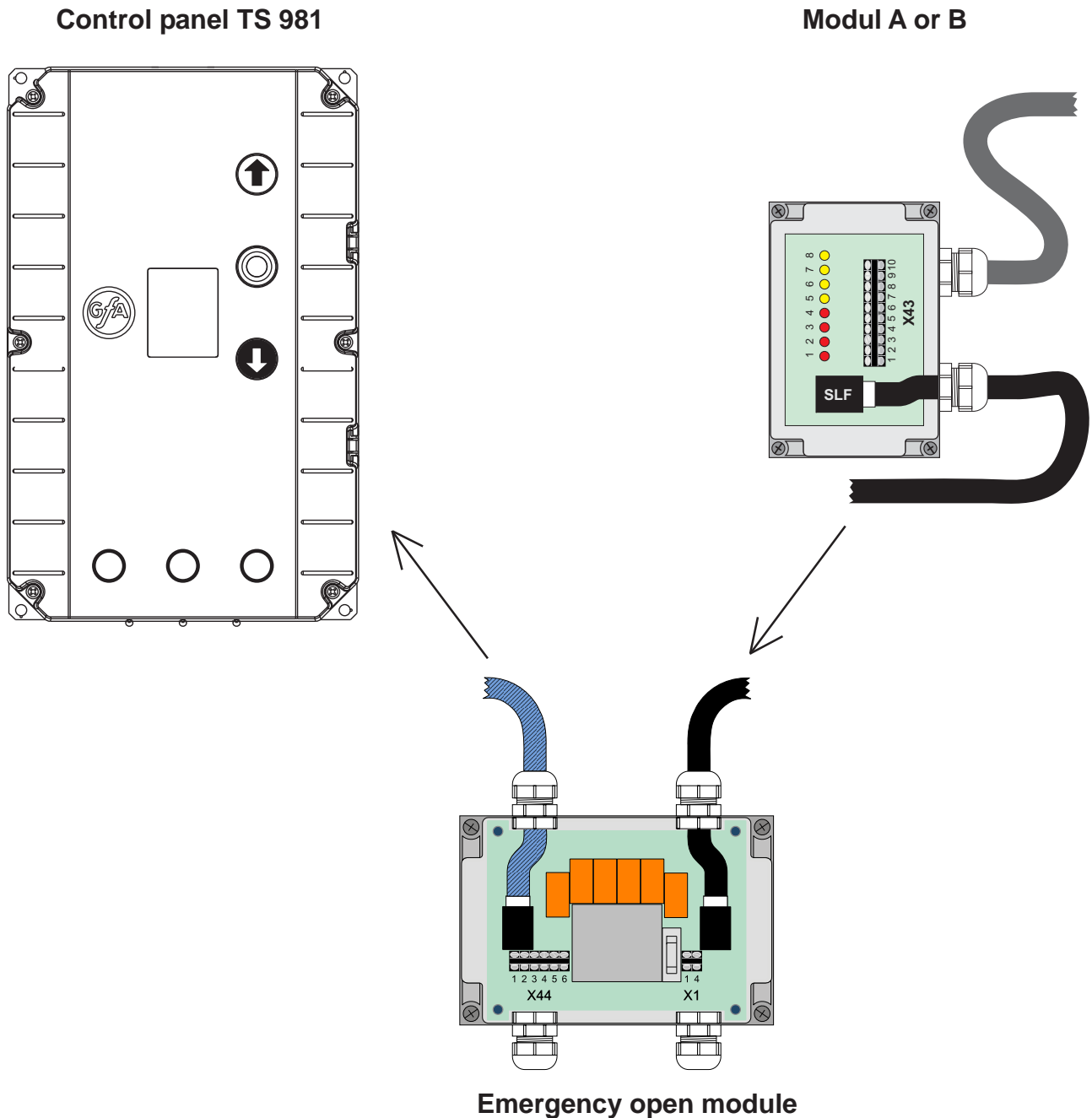
ENCLOSURE INSTALATION

The enclosure should be fitted directly beside the control panel. To connect the module, the lateral rubber plug must be carefully opened. The module cable should be guided thru the hole into the control enclosure, and following the pre-fitted cable gland may be softly tightened by using the enclosed nut.

The module connection plug must be fitted into the SLF socket of the TS 981 control panel. To check the proper connection the connection cable may be pulled carefully.

Thereafter the cable could be laid into the housing and cable gland should be finally tightened.

The SLF-Module A or B must be connected to the emergency open module.
To do so, follow description above.



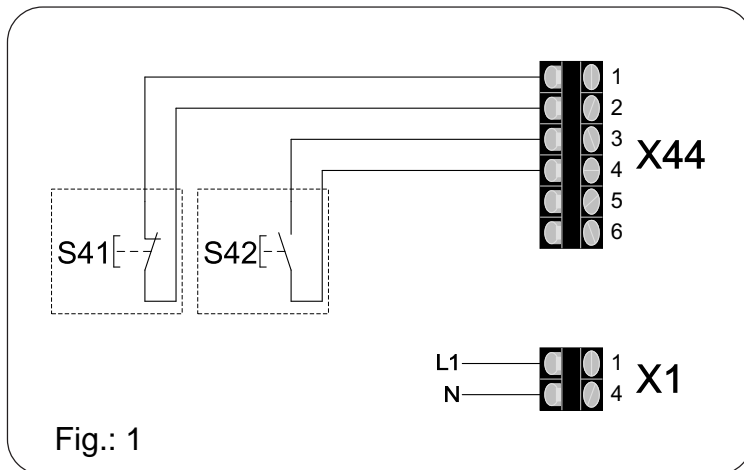
WIRING

Principle 1:

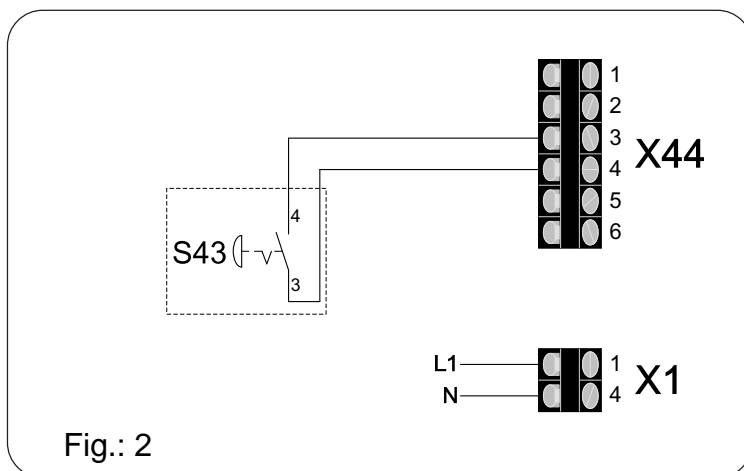
In an emergency situation the airlock function will be switched OFF when activating the button S42 or S43 and following both doors travelling to final open position.

If contacted S 42: Emergency open function activated

If contacted S 41: Emergency open function OFF, Airlock function ON



If contacted S 43: Emergency open function activated



Note:

When Re-made during upwards travel of the door: If the button S41 will be contacted both doors will be stopped.

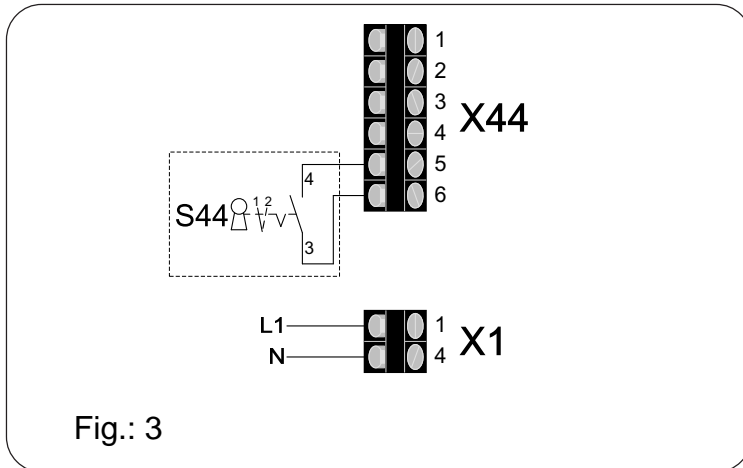
When Re-made to emergency open function: This should be set only if both doors are open. Thereafter one door must be closed to reactivate the airlock function.

WIRING

Prinzip 2:

OFF- respectively remaking of airlock function

Airlock OFF must always be made with a latching key-switch. (Fig. : 3) This latching switch guarantees the OFF position and both doors can be used independent and in normal mode



Note:

To activate the airlock function after a re-made, the minimum of one door must travel to the final closed position.