

Electrical accessories

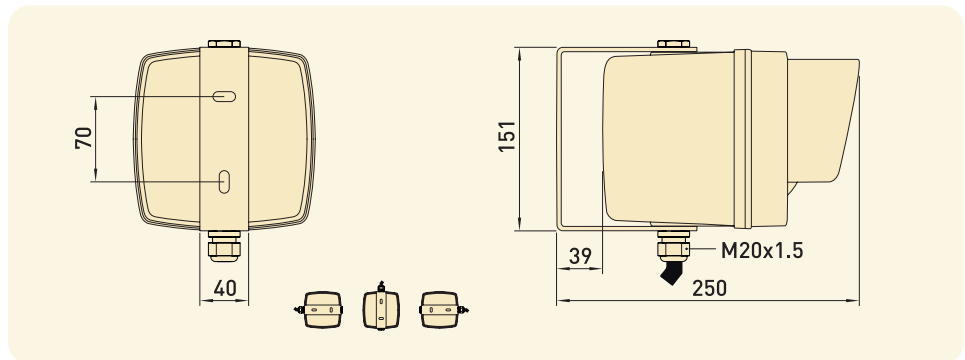
LED traffic-lights

- High durability
- Low power consumption
- Low heat-generating

- Better optically perception, no glare effect
- Variable connection



Designation	Description	Part no.
LED traffic-light	Calotte: Ø 130 mm; Protection class: IP65 Voltage: 230 V / 50 Hz - 60 Hz; 3 W (15 mA) Socket: E27	
	1 Red	30005345
	2 Green	30005346
	3 Yellow	30005347
	4 Red-Green	30005348
LED illuminant for replacement	5 Voltage: 230 V / 50 Hz - 60 Hz Socket: E27 Suitable for all color options	40017652



Beacon



Designation	Dimensions	Part no.
LED-Beacon	6 Ø 100 mm, height 139 mm Colour: Orange Protection class: IP65, Voltage: 230 V, 3 W	40019343

Flashlamps



Designation	Dimensions	Part no.
Flashlamp set for TS controls	7 Ø 100 mm, height: 110 mm per lamp Colour: Orange Protection class: IP65 Voltage: 230 V, 15 W	20003217