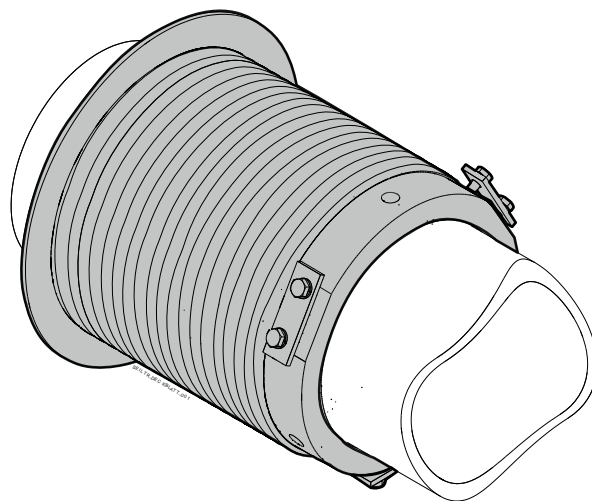




# Installation Instructions

Cable drum - Type A

Model: **51171757\_00002**



-en-

GfA ELEKTROMATEN GmbH & Co. KG  
Wiesenstraße 81  
D-40549 Düsseldorf  
[www.gfa-elektromaten.de](http://www.gfa-elektromaten.de)  
[info@gfa-elektromaten.de](mailto:info@gfa-elektromaten.de)

Status: 04/2023

## Chapter on safety

### Explanation of symbols

The following symbols are used in these installation instructions:

#### **⚠ WARNING**

**Safety note:** Non-compliance may result in death or severe injuries.

#### **I NOTE**

**Note:** Indicates useful added information.

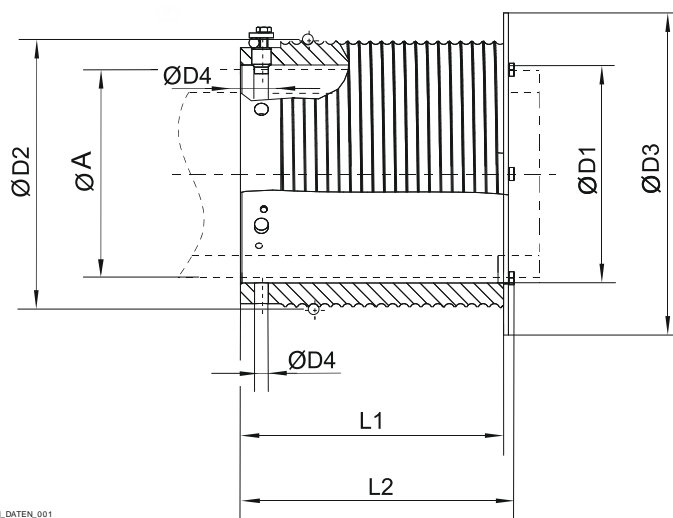
### Target audience of the installation instructions

These installation instructions are geared towards qualified persons trained in the handling of door systems. Expert knowledge, relevant skills and practical experience are what set apart qualified persons. They are capable of safely carrying out the tasks involving installation, maintenance and modernisation according to the instructions.

### Intended use

The cable drums are intended for installation on the tube of an industrial door. The limit values indicated in the technical data must not be exceeded. The operational safety can only be ensured if used as intended.

## Technical data



SETR\_TECHN\_DATEN\_001

Dimensions in	
A	159
D1	160
D2	205
D3	248
D4	12
L1	245
L2	253,7

Part no.	Pitch	Cable Ø	Usable cable length	Maximum door weight <sup>1)</sup>
30001369	right-handed	10 mm	10 m	10000 N
30001370	left-handed			
30001863	right-handed	8 mm	12,5 m	6500 N
30001864	left-handed			
30004998	right-handed	6 mm	17 m	5000 N
30004999	left-handed			

### <sup>1)</sup> Maximum door weight:

- Valid when using two cable drums.
- Use ropes according to EN 12385-4.
- Use ropes with 6 times the safety factor of the maximum static load acting on the rope.
- Design the rope with 3 times the safety factor to the maximum acting force in the case of catching. The larger of the two values applies.

#### I NOTE

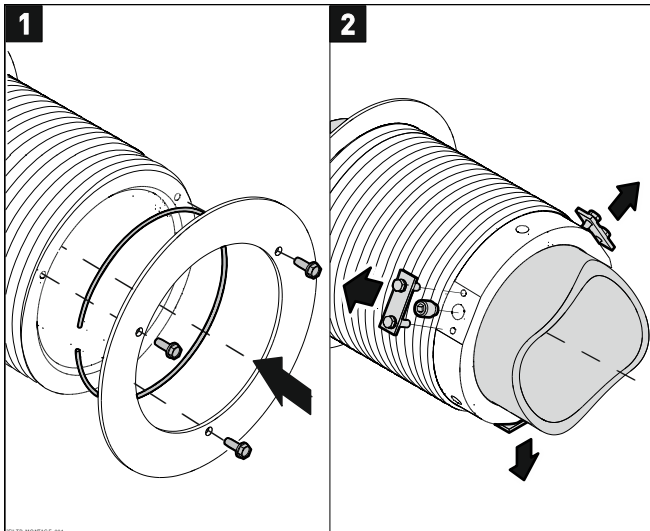
- Pitch and cable diameter information is indicated on every cable drum.
- Example: R6 = right-handed, cable diameter of 6 mm.

## Installation

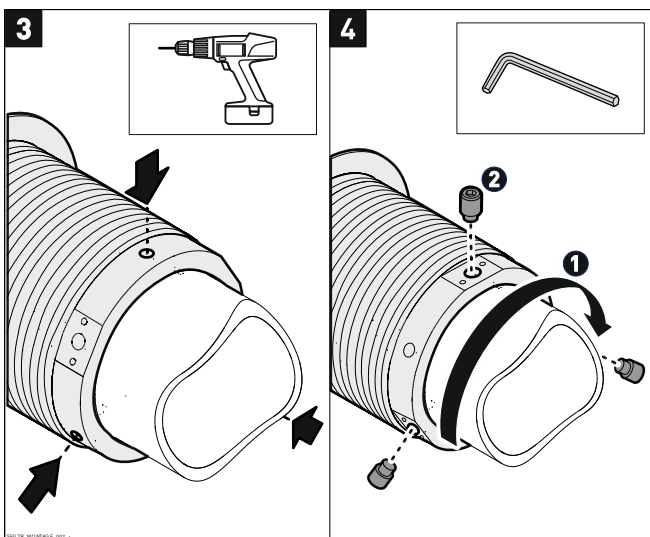
### **⚠ WARNING**

**Risk of death or injury as a result of uncontrolled door movement.**

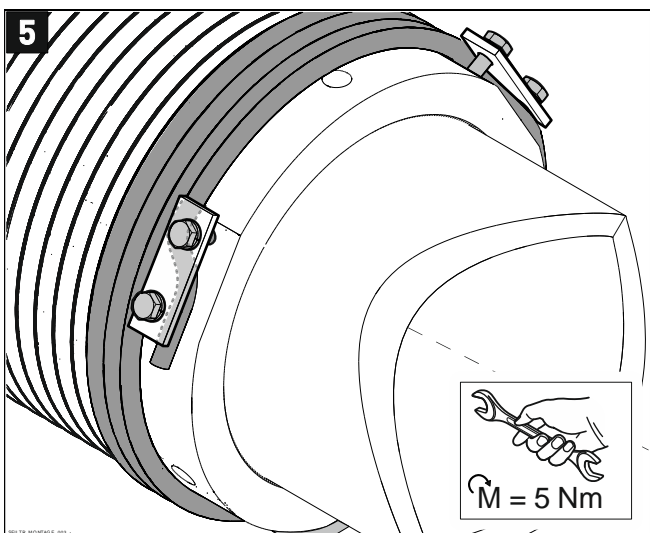
- Use a cable of the prescribed diameter.
- Ensure that the cable has a safety factor of 6 compared to the maximum permissible force.
- At least two windings of cable have to remain on the cable drum when the door has reached the CLOSE end position



1. Loosen the flanged pulley. Insert the supplied alignment cable. Attach and secure the flange pulley above it. Lightly tighten the bolts so that the cable drum can still move on the tube.
2. Remove the fastening plates. Loosen the threaded pins underneath. Slide the cable drum onto the tube.



3. Use the shown bores as guidance for drilling three holes of a diameter of 12 mm into the tube.
4. Turn the cable drum so that the threaded pins engage in the new holes. Screw in the threaded pins so that they are flush with the cable drum. Tighten the bolts of the flanged pulley with 5 Nm (see Step 1.).



5. Lightly tighten the fastening plates. Guide the cable through all three fastening plates. Tighten the bolts with 5 Nm.