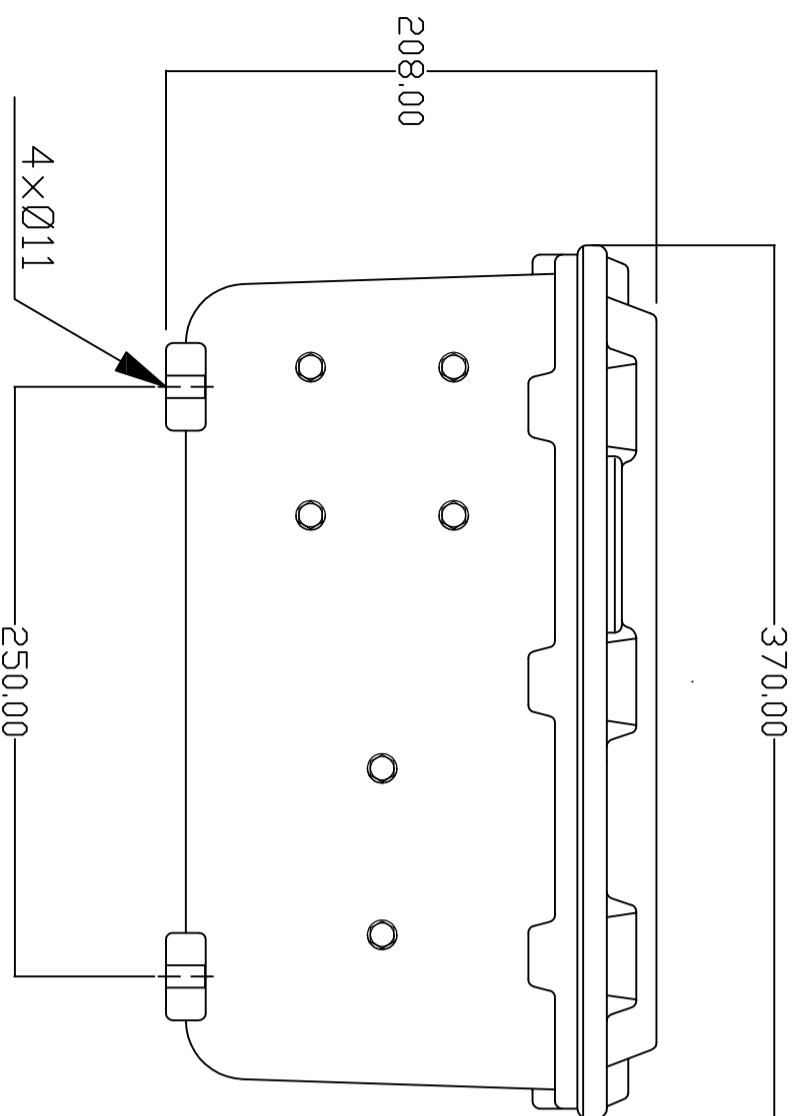
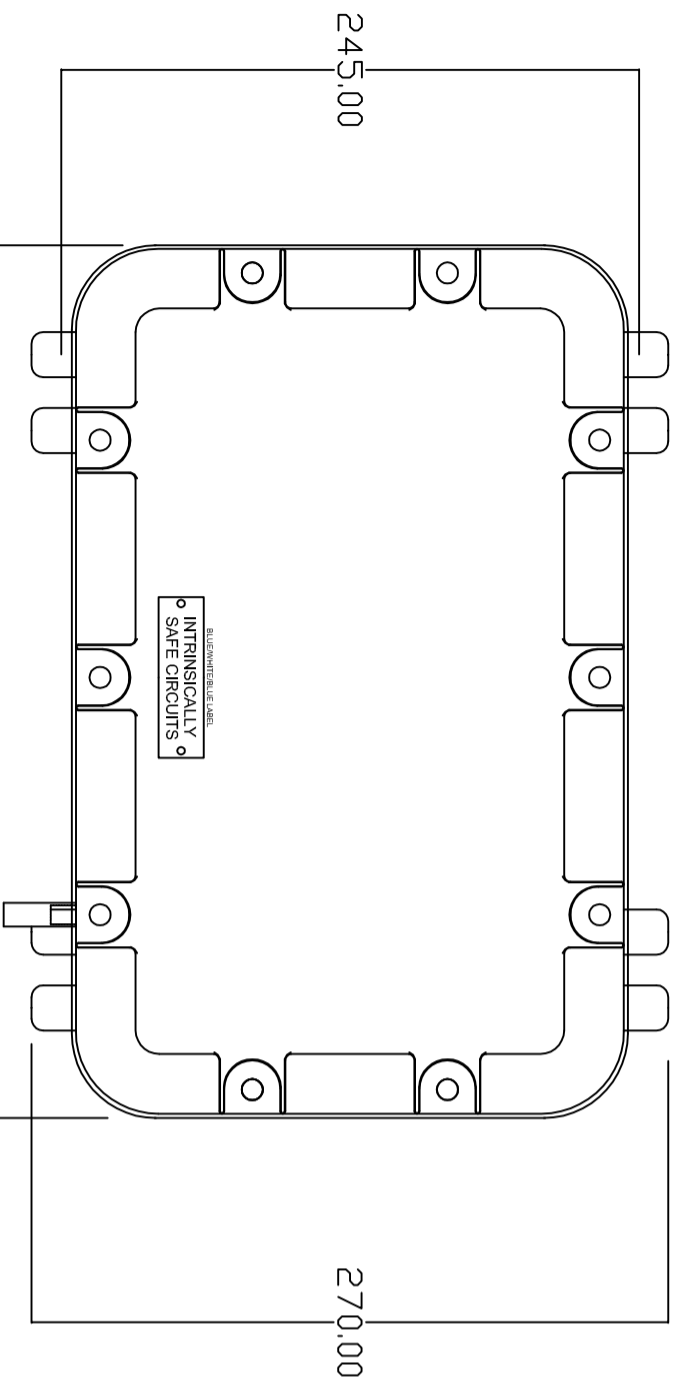
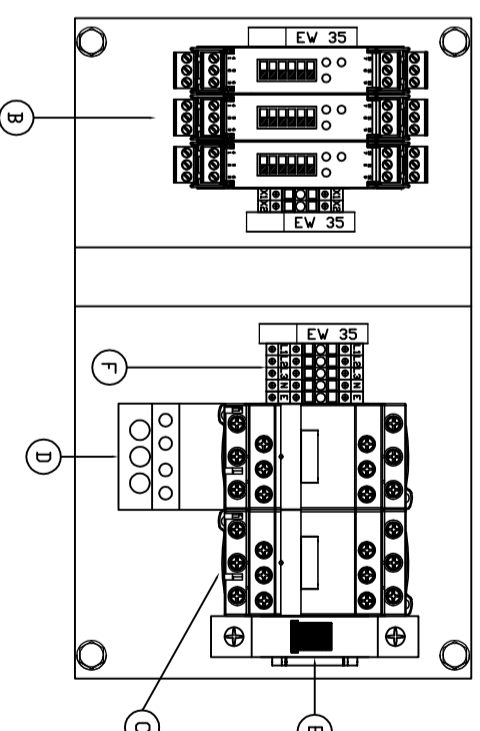


Product Group: ACCESS		Tolerance				Scale (DIN A3) NTS	Weight:
						Material:	Classification
	Date	Name		Title:		Reversing Starter Eexd IIB T5 without P/B's 2.5-4.0A O/Load	
h	2017/05/15	Timothy Drysch					
g	17/05/2017	Weaver					
f							
e							
d							
c							
b							
a							
Rev.	Change	Date	Ch. By	Original:	Article: 20003771 00011	Drawing Number: GDE61080 / 1	Sheet 1 of 3 Repl. by: Sheets

**GFA ELEKTROMATEN UK Ltd**  
 Unit 1, Titan Business Centre, Spartan Close  
 Warwick CV34 6RR, England.  
 Telephone: 01 926 452452 Fax: 01 926 336417  
 Web Site: www.gfa-elektromaten.co.uk



○ BLANKING PLUG FITTED  
 ○ 6 DFF M20 TAPPED ENTRIES



ITEM	QTY	DESCRIPTION	PART No	SUPPLIER
A	1	ENCLOSURE	954 05	A.T.X.
B	3	I.S. BARRIER	IMI-22EX-R	TURCK
C	1	REVERSING STARTER	LC2-D09-U7V	SCHNEIDER
D	1	OVERLOAD RELAY	LRD 08	SCHNEIDER
E	1	1 AMP MCB 1 POLE	S-201-C	ABB
F	7	4.0mm TERMINAL	W/DU4	WEIDMULLER

Product Group: ACCESS		Tolerance			Scale (DIN A3) NTS	Weight:
					Material:	Classification
h	Drawn	2017/05/15	Timothy Drysch	Title: Reversing Starter Eexd IIB T5 without P/B's 2.5-4.0A O/Load		
g	Chkd	17/05/2017	Weaver	Article: 20003771 00011		
e				Drawing Number: GDE61080 / 1		
c				Sheet 2 of 3		
b				Repl. by:		
a	Change	Date	Ch. By	Original:	Repl. by:	

**GFA ELEKTROMATEN UK Ltd**

Unit 1, Titan Business Centre, Spartan Close  
 Warwick CV34 6RR, England.  
 Telephone: 01 926 452452 Fax: 01 926 336417  
 Web Site: www.gfa-elektromaten.co.uk

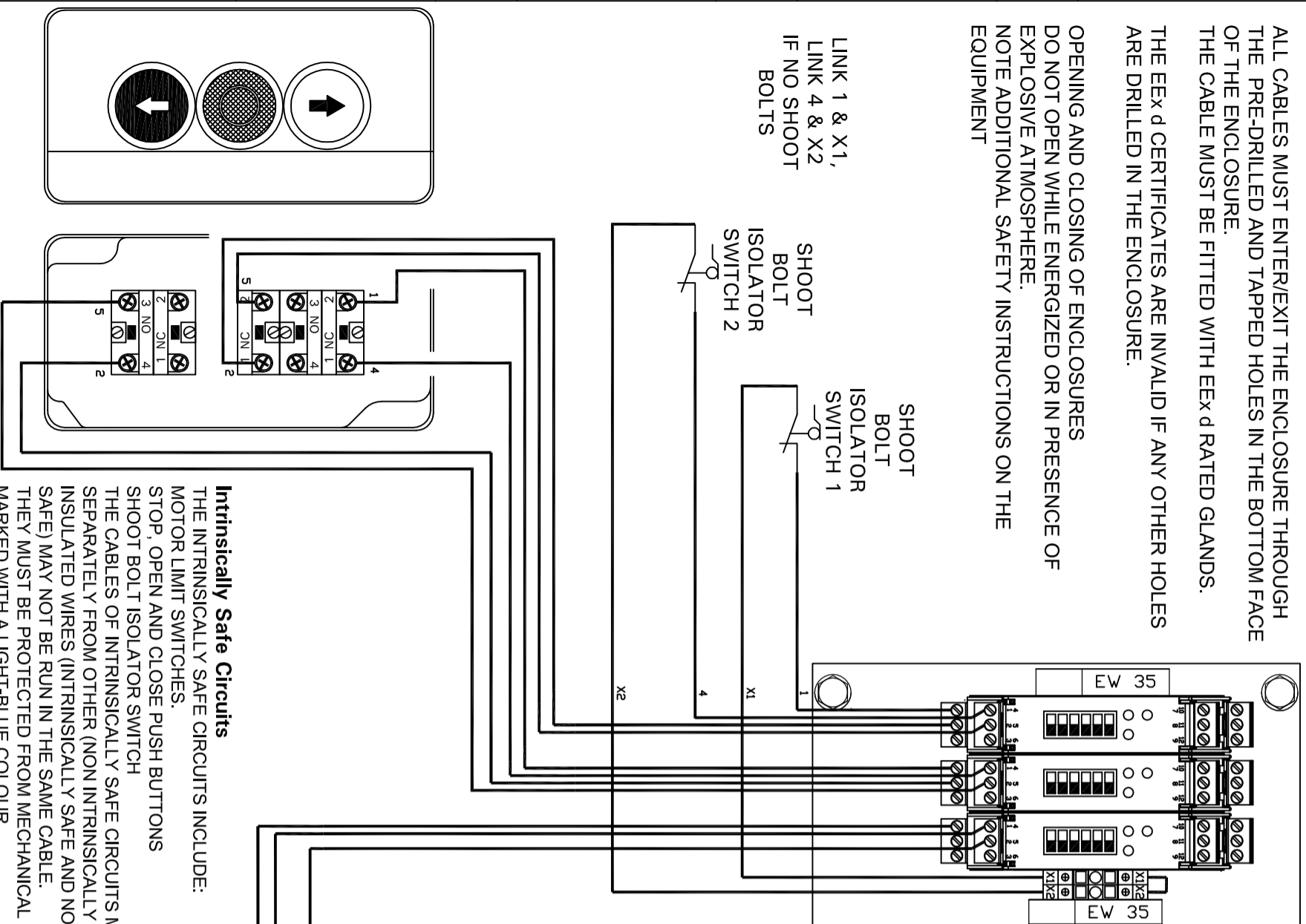
NOTE: REFER TO P18 ON GA25-15HXDT4 INSTRUCTION MANUAL FOR FULL LIMIT SWITCH DIAGRAM

ALL CABLES MUST ENTER/EXIT THE ENCLOSURE THROUGH THE PRE-DRILLED AND TAPPED HOLES IN THE BOTTOM FACE OF THE ENCLOSURE.  
 THE CABLE MUST BE FITTED WITH EEx d RATED GLANDS.  
 THE EEx d CERTIFICATES ARE INVALID IF ANY OTHER HOLES ARE DRILLED IN THE ENCLOSURE.  
 OPENING AND CLOSING OF ENCLOSURES DO NOT OPEN WHILE ENERGIZED OR IN PRESENCE OF EXPLOSIVE ATMOSPHERE.  
 NOTE ADDITIONAL SAFETY INSTRUCTIONS ON THE EQUIPMENT

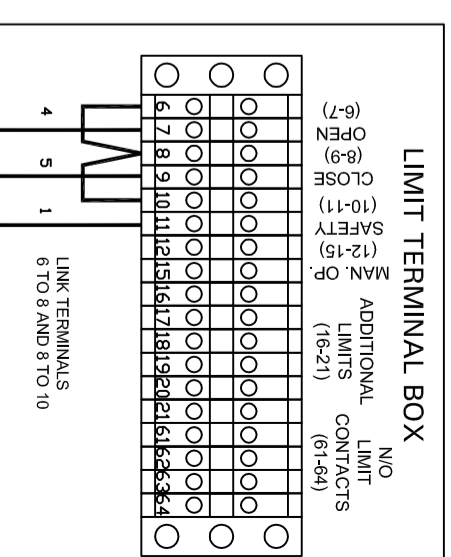
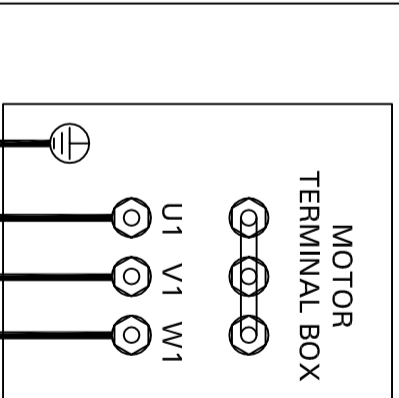
LINK 1 & X1,  
 LINK 4 & X2  
 IF NO SHOOT  
 BOLTS

SHOOT  
 BOLT  
 ISOLATOR  
 SWITCH 2

SHOOT  
 BOLT  
 ISOLATOR  
 SWITCH 1



L1 L3 PE  
 L2 N  
 3 PHASE, NEUTRAL + EARTH  
 SUPPLY 415VAC



**Intrinsically Safe Circuits**  
 THE INTRINSICALLY SAFE CIRCUITS INCLUDE:  
 MOTOR LIMIT SWITCHES.  
 STOP, OPEN AND CLOSE PUSH BUTTONS  
 SHOOT BOLT ISOLATOR SWITCH  
 THE CABLES OF INTRINSICALLY SAFE CIRCUITS MUST BE RUN SEPARATELY FROM OTHER (NON INTRINSICALLY SAFE) LINES.  
 INSULATED WIRES (INTRINSICALLY SAFE AND NOT INTRINSICALLY SAFE) MAY NOT BE RUN IN THE SAME CABLE.  
 THEY MUST BE PROTECTED FROM MECHANICAL DAMAGE AND MARKED WITH A LIGHT-BLUE COLOUR.  
 THEY SHOULD ENTER THE ENCLOSURE THROUGH SPECIAL CABLE GLANDS (LIGHT BLUE COLOUR) AND CONNECT TO THE BLUE TERMINALS.

Product Group: ACCESS	Tolerance	Date	Name	Scale (DIN A3) NTS	Weight:
		2017/05/15	Timothy Drysch	Material:	Classification
		17/05/2017	Weaver	Title:	
				Reversing Starter Eexd IIB T5 without P/B's 2.5-4.0A O/Load	
				Article: 20003771 00011	
				Drawing Number: GDE61080 / 1	
				Sheet 3 of 3	Sheets
Rev. a	Change	Date	Ch. By	Original:	Repl. by:

**GFA ELEKTROMATEN UK Ltd**

Unit 1, Titan Business Centre, Spartan Close  
 Warwick CV34 6RR, England.  
 Telephone: 01 926 452452 Fax: 01 926 336417  
 Web Site: www.gfa-elektromaten.co.uk

