

WS 900 door control

Reversing contactor control for GfA ELEKTROMATEN® drives with NES mechanical limit switch

Approvals and certificates

WS 900

Type test according to:
DIN EN 12453
DIN EN 60335-1
TÜV NORD CERT GmbH



WS 900

Technical data

- For GfA ELEKTROMATEN with mechanical limit switch NES
- Supply voltage:
1N~230 V, PE / 3~230 V, PE
3N~400 V, PE / 3~400 V, PE
- Operating frequency: 50 Hz / 60 Hz
- Control voltage: 24 V AC
- 2 or 3 contactors
- Mains supply ratings for external devices: 24 V AC (1 A)
- Permissible temperature range: -10 °C...+50 °C

Housing

- Dimensions W x H x D [mm]: 145 x 101 x 209
- Protection class IP54, IP65 (optional)

Description

- Mechanically inter-locked reversing contactors, optional with additional safety contactor
- Integrated push-button OPEN-STOP-CLOSE on the board
 - For quick adjustment of the final limit positions directly on the drive unit
- Plug-in connection cable to ELEKTROMATEN
- Available with optional ready-wired CEE plug, replaces mains switch according to EN 12453

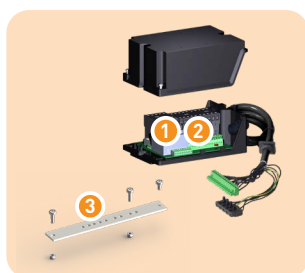
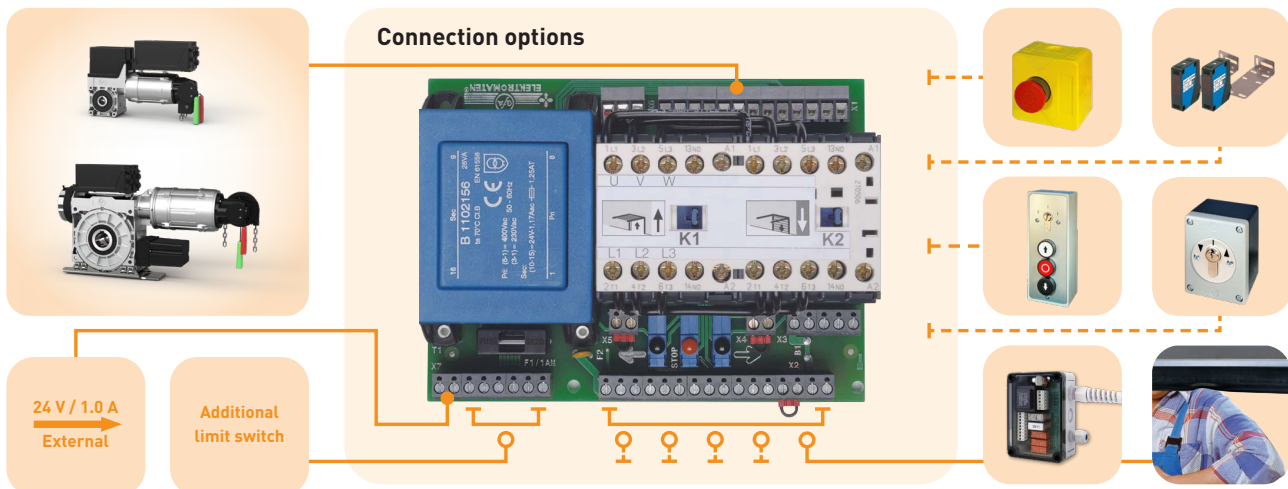
Functions

- Selectable operating mode:
 - CLOSE/OPEN in hold-to-run mode
 - CLOSE in hold-to-run mode/OPEN in self-hold mode
 - Self-hold CLOSE/OPEN in conjunction with: Control unit 647 for optical safety edge (see 9.005)
- Slack-rope and pass-door switch input available
- Possible connections for: push-button, emergency stop-switch, radio control, etc.

WS 900



Part no. installation drawing: 50001883



Designation	Description	Part no.
WS 900 2 reversing contactors 24 V 1	With 0.8 m cable and connection plugs for ELEKTROMATEN, without CEE-plug	20090000.10003 ¹⁾
WS 900 3 reversing contactors 24 V 2	With 0.8 m cable and connection plugs for ELEKTROMATEN, without CEE-plug	20090000.10004
Mounting bracket WS 900 3	For series SG50, SG63, SG63-SIK (with standard motors only)	30002937

■ 1) Discontinued part ■ Spare parts can be found in Section 9