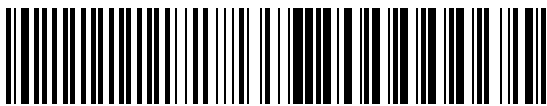




## Electrical operating instructions

Air - lock - function



0000000 0000 51171365 XXXXX



51171365 - c 12.2014

---

# OPERATING INSTRUCTIONS

---

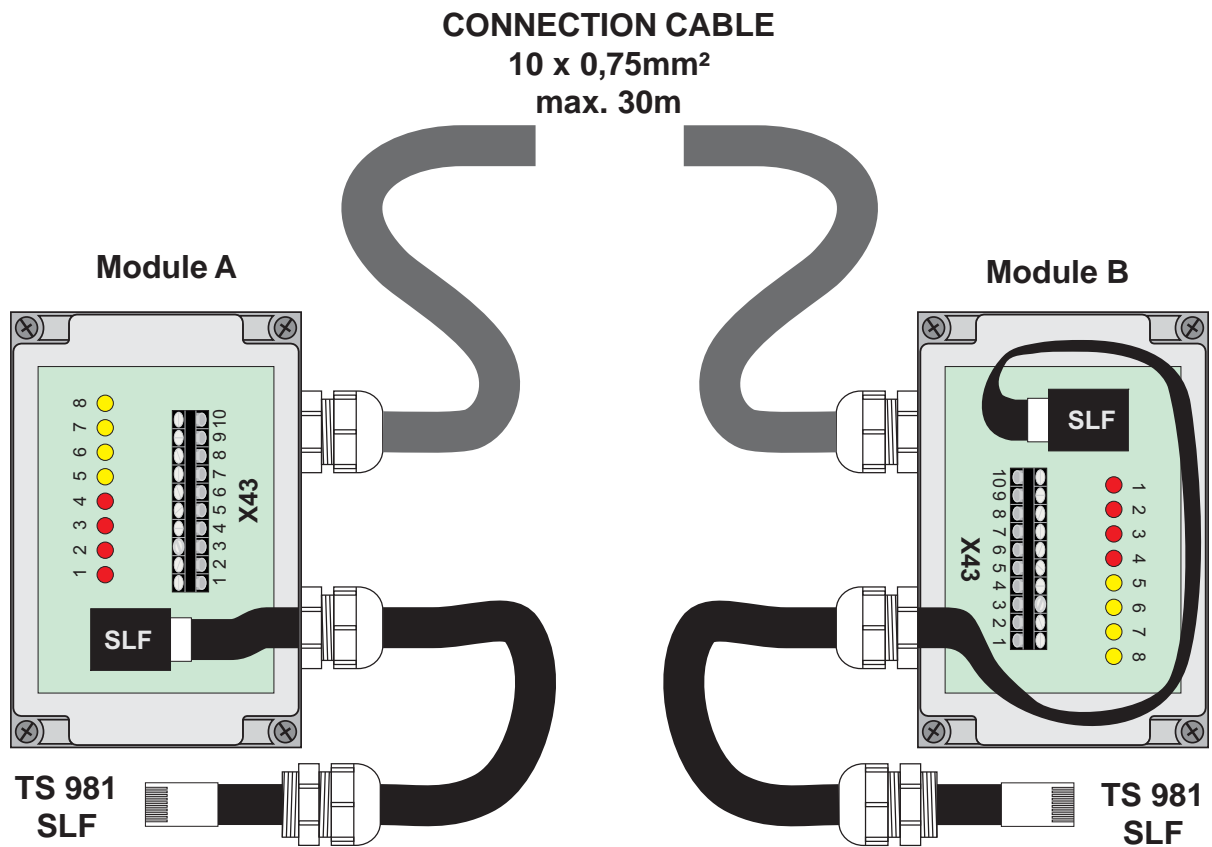
	<b>Page</b>
<b>DESCRIPTION</b> .....	<b>4</b>
<b>ENCLOSURE INSTALLATION</b> .....	<b>5</b>
<b>CABLE CONNECTION BETWEEN THE MODULES</b> .....	<b>6</b>
<b>CONTROL PROGRAMMING</b> .....	<b>7</b>
Additional door functions .....	7
<b>FUNCTION DESCRIPTION</b> .....	<b>8</b>
Both doors CLOSE .....	8
One door CLOSE .....	8
Both doors OPEN .....	8
Transmission signal OPEN .....	8

# DESCRIPTION

Air lock function can be realised when using two SLF-Modules (A and B) in connection with two control panels TS 981.

Both modules A and B must be connected to terminals at X 43 and sending and receiving signals from the opposite control panel.

LED's appearing all activated commands and signals.

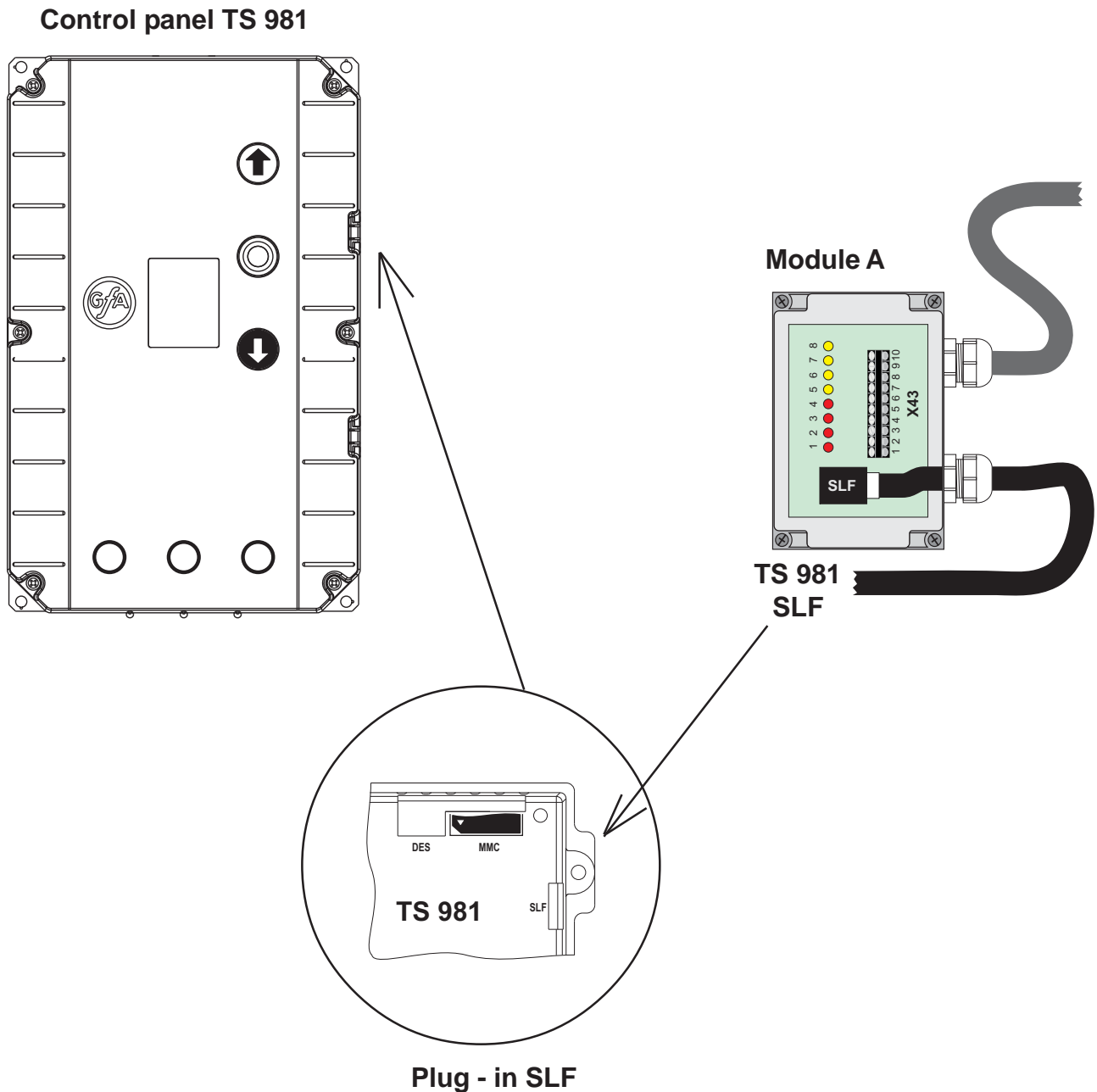


# ENCLOSURE INSTALLATION

The enclosure should be fitted directly beside the control panel. To connect the module, the lateral rubber plug must be carefully opened. The module cable should be guided thru the hole into the control enclosure, and following the pre-fitted cable gland may be softly tightened by using the enclosed nut.

The module connection plug must be fitted into the SLF socket of the TS 981 control panel. To check the proper connection, the connection cable may be pulled carefully.

Thereafter the cable could be laid into the housing and cable gland should be finally tightened. Mounting of the second module is similarly.



# CABLE CONNECTION BETWEEN THE MODULES

The connection cable between both SLF modules must be a 10 core cable. The connection between the module A and B should be made 1 to 1 means cable 1-1; 2-2 etc. on the terminal X43/1-10.



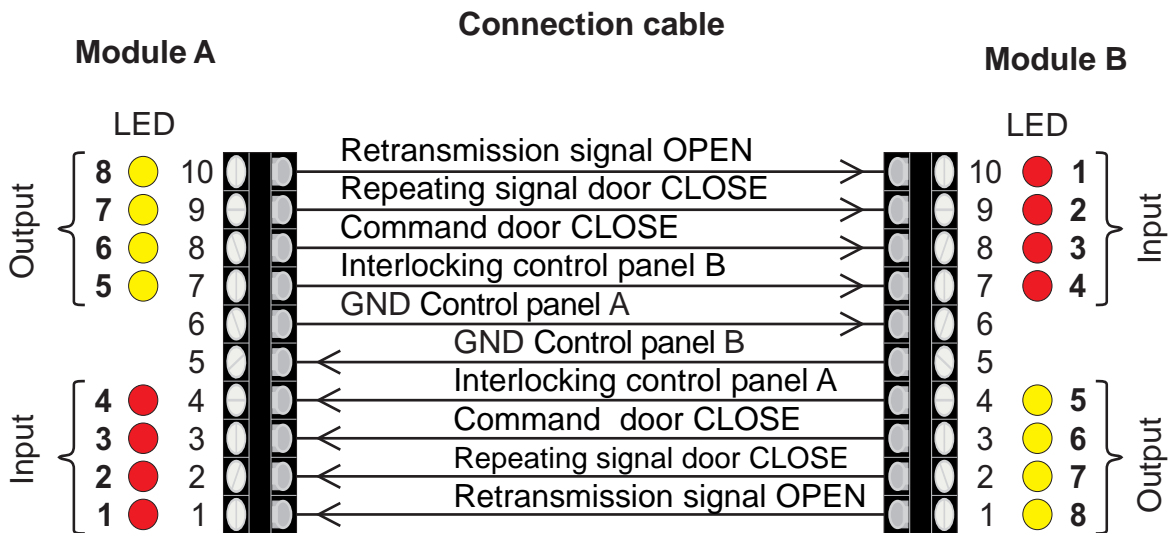
## Important Note

For connection lengths of up to 30 m, the wires of the connection cable are to have a minimum cross-sectional area of 0.75 mm<sup>2</sup>.

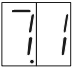


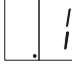
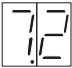


For connection lengths in excess of 30 m, a shielded connection cable with a cross-sectional area of 1.0 mm<sup>2</sup> is required.

Do not exceed a connection length of 100 m.

The connection cable is to be routed separately from the existing on-site wiring.



# CONTROL PROGRAMMING

2. Select program and confirm	3. Adjustment	4. Memorise
<b>Additional door functions</b>		
 <b>Air lock function</b>	  <b>Air lock function OFF</b>  <b>Air lock function ON</b>	<input type="radio"/> <b>Press selector</b>
 <b>Retransmission signal door OPEN if Air-lock ON</b>	  <b>For a delayed signal adjust the timer from 0 - 10 sec; after the door is closed.</b>	<input type="radio"/> <b>Press selector</b>

## Menu 7.1

Air-lock functions for both control panels ON!



### Important Note

It is recommended to **adjust the automatic closing, menu 2.3 in both control panels**, because when an Open command was supplied the other control will receive automatically an Close signal; if the first travelling door reaches the Open position.

## Menu 7.2

Retransmission signal Open, with a variable signal delay from 1 up to 10 sec.  
(Optional selectable)



### Information

Retransmission signal function can be adjusted individually.  
The retransmission signal Open could be activated only if the airlock function is adjusted, and works only if using the external push button.

# FUNCTION DESCRIPTION

---

When airlock function may be switched on, the several door positions will be recognised and stored.

Door A will be controlled by control A and door B will be controlled by control B!

If the airlock function is activated, the OPEN and CLOSE command will be stored; if the command is not feasible and the corresponding final position is reached.

All stored commands will be cancelled if a Stop command would be activated or the safety circuit is interrupted. This supplies the following description of door position and functions.

## **Both doors CLOSE**

With an OPEN command at control A the functions at control B are interlocked. An OPEN command at control B will be stored however not executed as long as the door A is not CLOSED and the interlocking is released.

## **One door CLOSE**

Door A is CLOSED and door B is OPEN.

If OPEN command would be supplied to control A. The control A is interlocked by control B. Now the OPEN command will be stored in control A and, at the same time a CLOSE command will be supplied to control B for closing the door B. If door B travels down, and a safety device would be activated e.g. (safety edge system, photo cell) door B reverses to the final OPEN position, and following the door CLOSES automatically by the stored CLOSE command. In the moment when door B is CLOSED, control B will be interlocked, and control A will be released. The stored OPEN command in control A will be executed, and door A travels to the final OPEN position.

## **Both doors OPEN**

To get the functioning „ONE DOOR CLOSE“ or „BOTH DOORS CLOSE“ a CLOSE command must be given to ONE or to BOTH doors, to reach the final CLOSE position.

## **Transmission signal OPEN**

The OPEN transmission signal function will only work if an external push button is connected. The pre-adjusted time delay's the OPEN command for the other control.

When the car is in, and door A is CLOSED the control A will be inter-locked, and control B released. Thereafter the timer count down starts immediately. After time expiration the retransmission signal will be send to control B and door B travels to final open position.