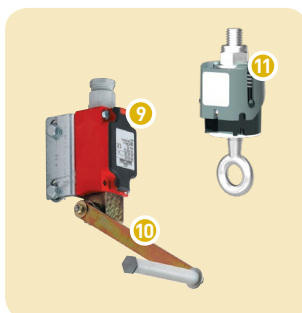
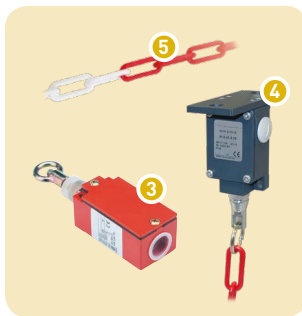


Electrical accessories

Switches



Designation	Description	WxHxD [mm]	Part no.
Mains switch	1 Up to 5,5 kW; 400 V; IP65	100 x 125 x 70	40000526
Mains switch Ex	2 16 A, up to 690 V; II 2 G Ex db eb IIC T6 Gb II 2 D Ex tb IIIC T80 °C Db	112 x 205 x 130	40014087
Pull switch no. 21	3 For wall-mounting; IP65	36 x 135 x 33	40000530
Pull switch no. 23	4 Heavy-duty for wall-mounting; with 2.5 m red/white chain; IP65	60 x 131 x 100	40019479
Chain	5 Plastic, red / white	Material sold by the metre	40001477
Coil spring actuator	6 No. 6 slow break contact, 1 NO contact, 1 NC contact; IP65 No. 7 snap action contact, 1 NO contact, 1 NC contact; IP65	36 x 205 x 33	40000532 40007351
Roller-arm limit switch no. 17	7 1 NO contact, 1 NC contact; IP65	36 x 96 x 33	40000529
Roller-arm limit switch no. 20	8 2 change-over contacts, left- and right-side activation, overrun possible; IP65	40 x 177 x 60	40000542
Slack-rope switch ¹⁾	9 Left-hand short pulley 88 mm long Right-hand short pulley 88 mm long Left-hand long pulley 170 mm long Right-hand long pulley 170 mm long	150 x 294 x 157 232 x 294 x 157	30000972 30000973 30000907 30000437
Spare parts for slack-rope switch	10 Lever with short pulley 88 mm long Lever with long pulley 170 mm long Slack-rope switch with lever, without pulley		40010665 40012630 40008306
Slack-rope switch	11 For installation in the door design; Safety switch according EN 12453:2017; monitoring via door controls TS 959 / TS 970 / TS 971 / TS 981 from Software ≥ 3.0; IP67	∅ 40 mm	30005911
Pass-door switch	12 Door frame installation; cable length 6 m, safety switch according EN 12453:2017; monitoring via door controls TS 959 / TS 970 / TS 971 / TS 981 up to Software < 3.0; IP68		30004677
Pass-door switch	13 Door frame installation; cable length 6 m, safety switch according EN 12453:2017; monitoring via door controls TS 959 / TS 970 / TS 971 / TS 981 from Software ≥ 3.0; IP68		30005912

■ 1) Figure as an example: Left side ■ 2) Expected to be available from mid 2020