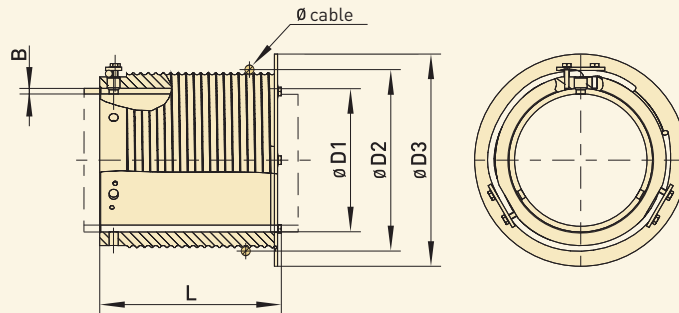


# Mechanical accessories

## 8. Cable drums for tubes — Type A

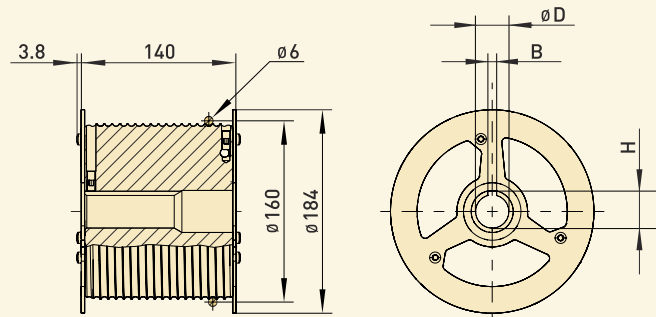
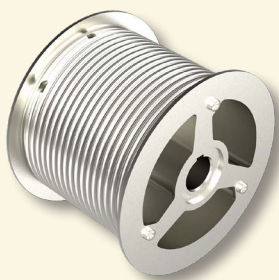


Designation	Tube-Ø	Cable-Ø	Useful cable length	Max. door weight <sup>1)</sup>	Lead	Part no.
Cable drum A 160-6R-133	133 mm	6 mm	9 m	5000 N	Right	30001196
Cable drum A 160-6L-133					Left	30001197
Cable drum A 160-8R-133	133 mm	8 mm	7 m	6500 N	Right	30001235
Cable drum A 160-8L-133					Left	30001236
Cable drum A 200-6R-159	159 mm	6 mm	17 m	5000 N	Right	30004998
Cable drum A 200-6L-159					Left	30004999
Cable drum A 200-8R-159	159 mm	8 mm	12,5 m	6500 N	Right	30001863
Cable drum A 200-8L-159					Left	30001864
Cable drum A 200-10R-159	159 mm	10 mm	10 m	10000 N	Right	30001369
Cable drum A 200-10L-159					Left	30001370

D1 [mm]	D2 [mm]	D3 [mm]	L [mm]
134	165,4	198	171
134	166	198	171
160	204,4	248	254
160	205	248	254
160	205	248	254

- 1) When using two cable drums. Use ropes according to EN 12385-4. Design the rope with 6 times the safety factor of the maximum static load acting on the rope. Also, design the rope with 3 times the safety factor to the maximum acting force in the case of catching. The larger of the two values applies.

## 9. Cable drums for shafts — Type B



Designation	Shaft-Ø	Cable-Ø	Useful cable length	Max. door weight <sup>1)</sup>	Lead	Part no.
Cable drum B 160-6R-25	25 mm	6 mm	7 m	6000 N	Right	30005980
Cable drum B 160-6L-25					Left	30005981
Cable drum B 160-6R-25,4	25,4 mm	6 mm	7 m	6000 N	Right	30005982
Cable drum B 160-6L-25,4					Left	30005983
Cable drum B 160-6R-30	30 mm	6 mm	7 m	8000 N	Right	30005984
Cable drum B 160-6L-30					Left	30005985
Cable drum B 160-6R-31,75	31,75 mm	6 mm	7 m	8000 N	Right	30005986
Cable drum B 160-6L-31,75					Left	30005987
Cable drum B 160-6R-40	40 mm	6 mm	7 m	8000 N	Right	30005988
Cable drum B 160-6L-40					Left	30005989

Ø D	H	B
25	28,3	8
25,4	28,4	6,35
30	33,3	8
31,75	34,7	6,35
40	43,3	12

- 1) When using two cable drums. Use ropes according to EN 12385-4. Design the rope with 6 times the safety factor of the maximum static load acting on the rope. Also, design the rope with 3 times the safety factor to the maximum acting force in the case of catching. The larger of the two values applies.