



Garog® Tubular Motors

Tubular Motor for Rolling Shutters and Grilles

- Range of torques from 50Nm to 300Nm
- Compact motor head design
- Positive Mechanical Limits
- Integrated Manual Over-ride
- Wide range of tube adaptation available



Application

Garog tubular motors are suitable for rolling shutters, awnings, garage doors and grilles with output torques up to 300Nm. They emit minimal noise when in operation, are easy to conceal, compact in size and quick to install. The integrated manual over-

ride mechanism allows the roller shutter/grille to be opened or closed in the event of a mains power failure.

All models in the range have thermal protection which will automatically stop operation if the motor temperature gets too high.

Installation

Installation of the motor can be completed with ease. There are a variety of mounting arrangements to suit most applications. It is recommended that where necessary a safety brake is fitted so as to comply with current legislation.

Technical Specification

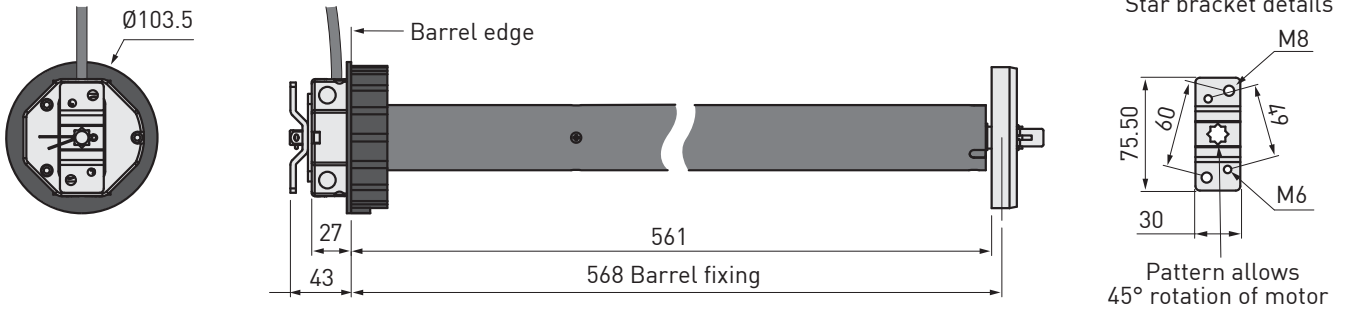
Model Item no.		TM50NMHC	TM100NMHC	TM140NMHC	TM230NMHC	TM300NMHC
Output torque	Nm	50	100	140	230	300
Output speed	(min ⁻¹)	12	12	7	6.5	6.5
Motor power	W	205	345	405	870	940
Supply		230V-50Hz	230V-50Hz	230V-50Hz	230V-50Hz	230V-50Hz
Current	A	0.89	1.54	1.77	3.78	4.08
Protection		IP 44	IP 44	IP 44	IP 44	IP 44
Run time	(min)	4	4	4	4	4
Limit range	(turns)	22	22	22	22	22
Weight	Kg	3.5	6.5	7.9	13.5	15.0

Dimensions

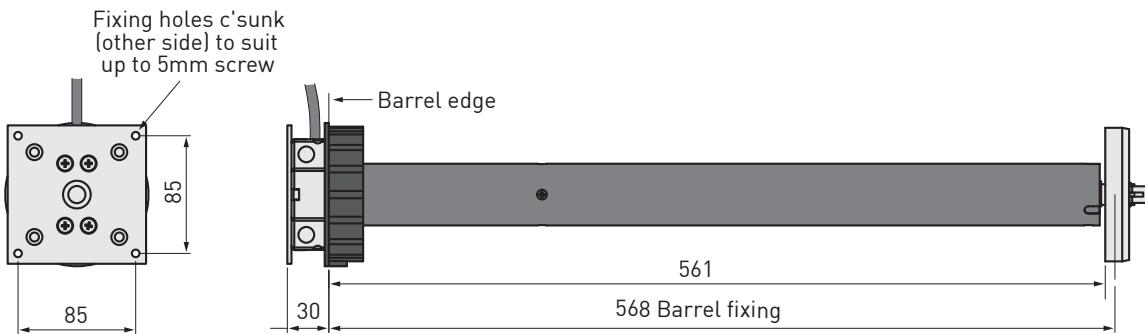


TM-50NMHC

Star Bracket (supplied as standard)

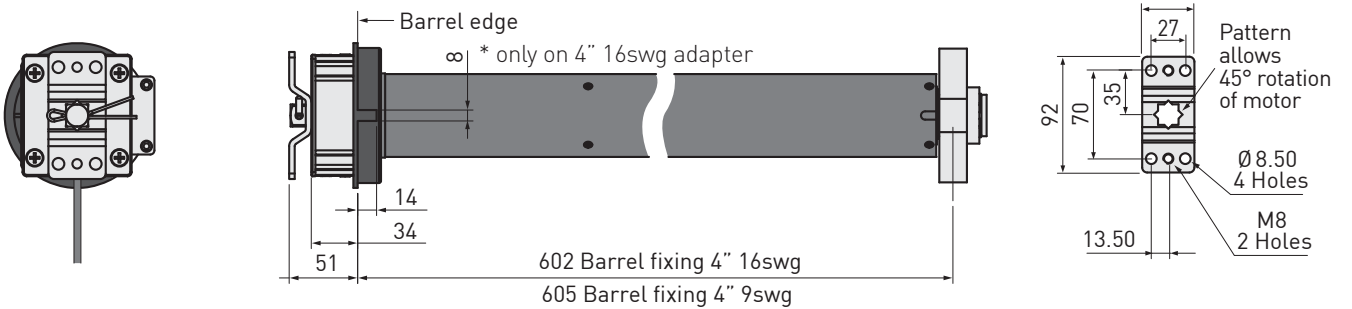


Flat Plate Bracket

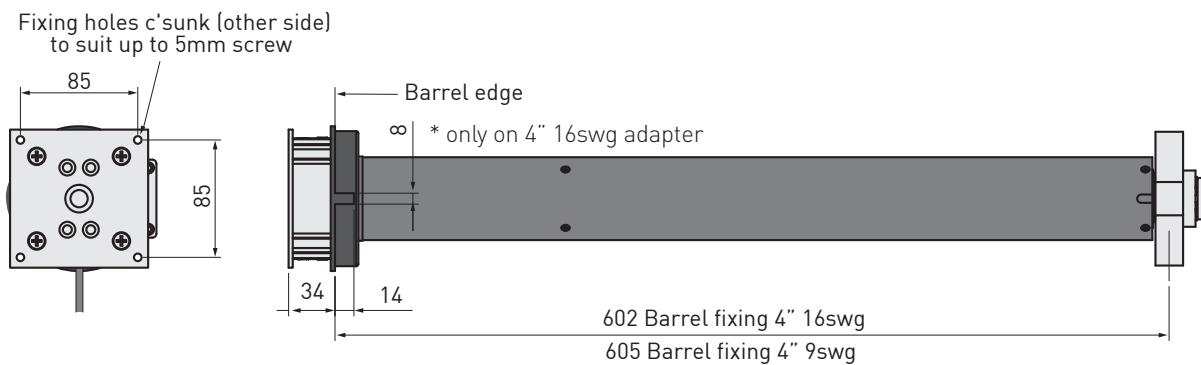


TM-100NMHC & TM-140NMHC

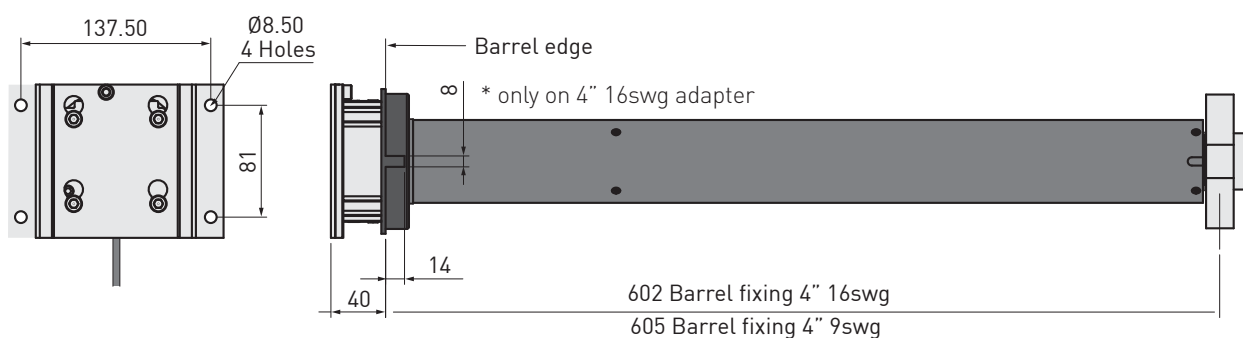
Star Bracket (supplied as standard)



Flat Plate Bracket

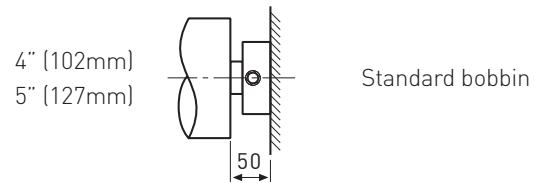
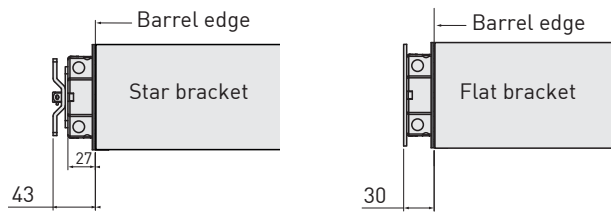


Key-hole Bracket

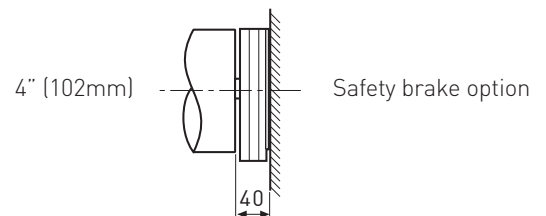
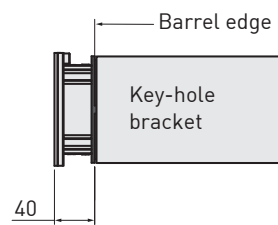
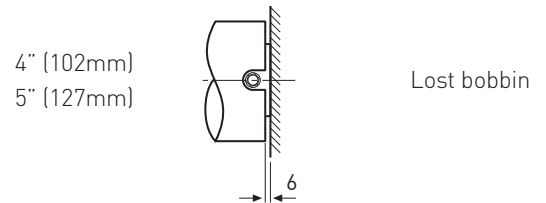
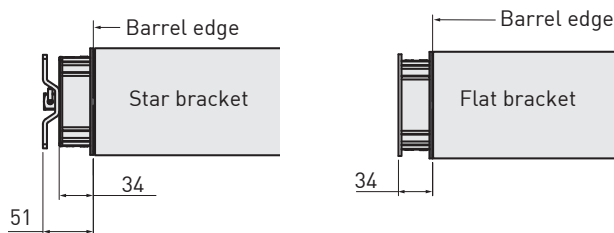


Barrel assembly dimensions

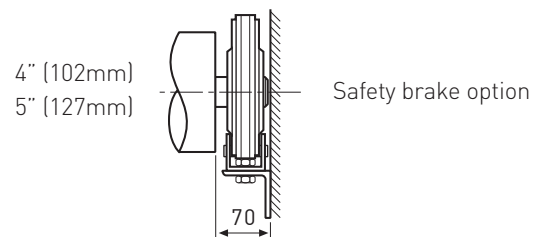
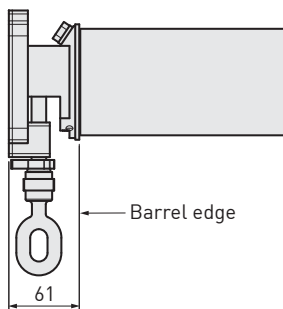
TM-50NMHC



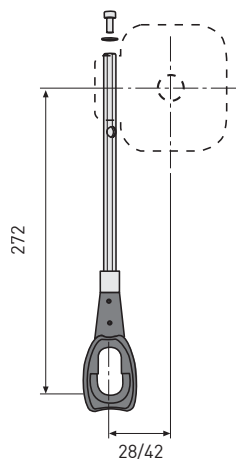
TM-100NMHC & TM-140NMHC



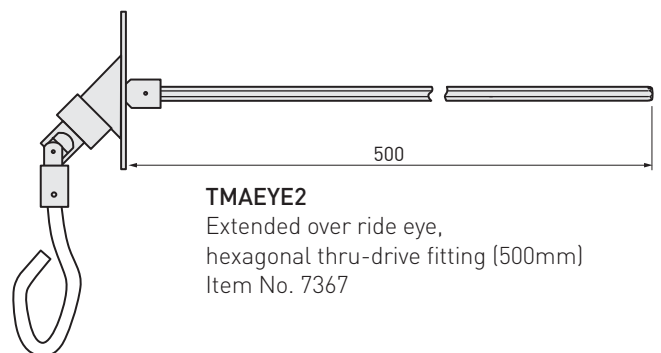
TM-230NMHC & TM-300NMHC



Manual Over-ride equipment



Standard with over-ride for:
 TM-50NMHC
 TM-100NMHC
 TM-140NMHC



TMAEYE2
 Extended over ride eye,
 hexagonal thru-drive fitting (500mm)
 Item No. 7367