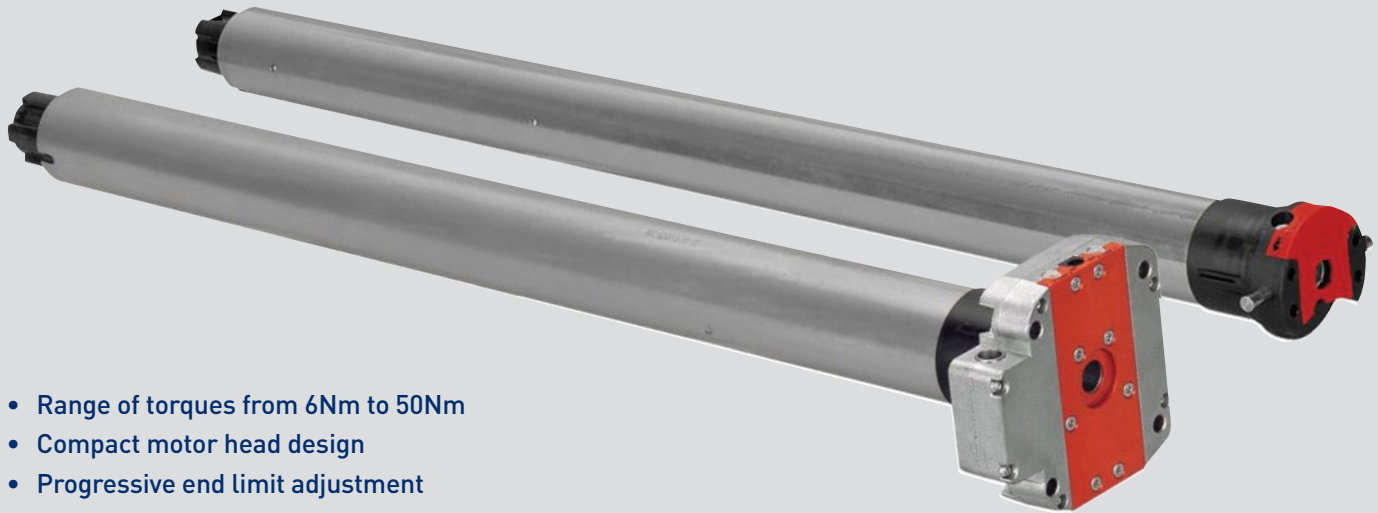




T5

Type 5 Tubular Motors for Rolling Shutters and Grilles



- Range of torques from 6Nm to 50Nm
- Compact motor head design
- Progressive end limit adjustment
- Wide range of tube adaptation available 5-year warranty

Application

Type 5 motors can easily be incorporated into all commercial access applications, with a range of output torques up to 50Nm at an output speed of 12rpm. The range of motors are available with integrated manual over-ride allowing the shutter/grille to be opened or closed in the event of a mains power failure.

Installation

The limit switches allow for easy and accurate setting of the up and down stopping positions. It is recommended that where necessary a Safety brake is fitted so to comply with current legislation.

All our tubular motors are covered by a five year warranty, full details are available upon request.

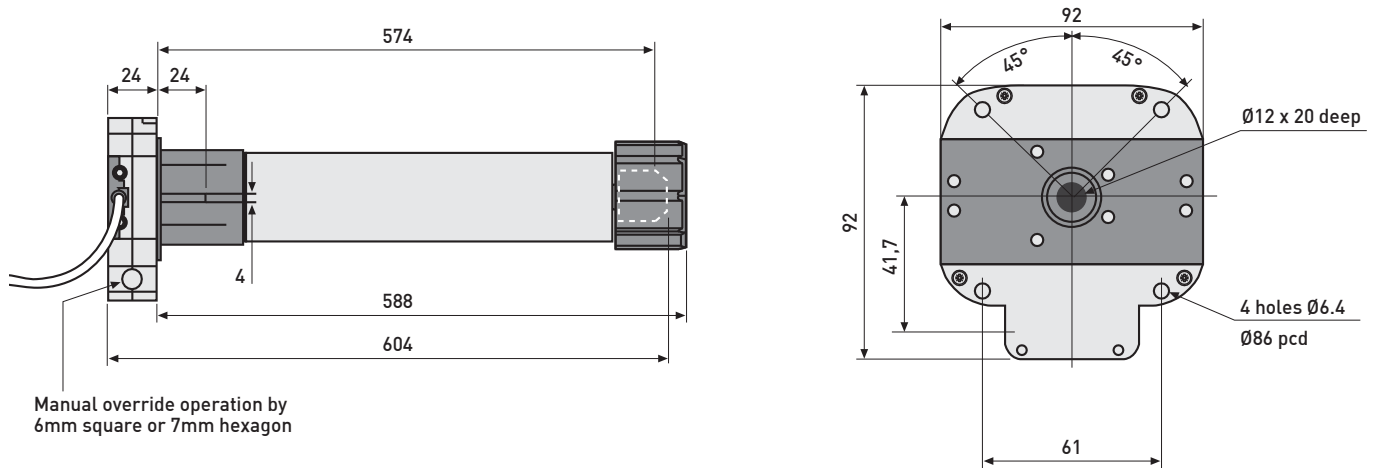
The type 5 range of motors are available with higher output speeds and integrated radio to suit a variety of applications. The type 5 motors are also available in 12 or 24Vdc.

For further information please refer to other datasheets within the product range.

Applications



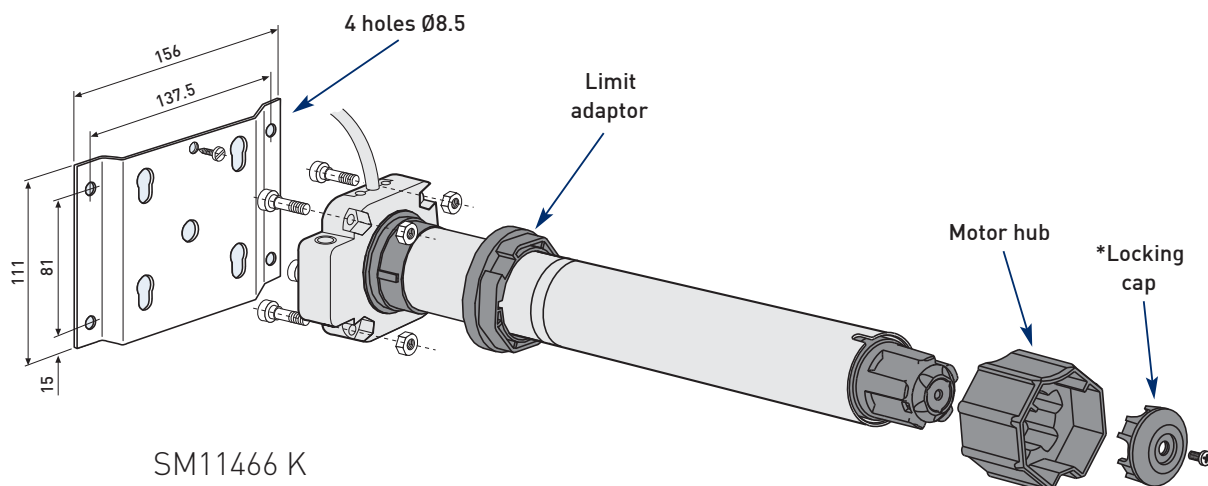
Dimensions



Technical Specification

Model Manual Over-ride Motors		540TM12
Output torque	Nm	40
Output speed	(min-1)	12
Motor power	W	240
Supply		230V-50Hz
Current	A	1.1
Protection		IP 44
Run time	(min)	4
Limit range	(turns)	28
Weight	Kg	3.25

Mounting detail

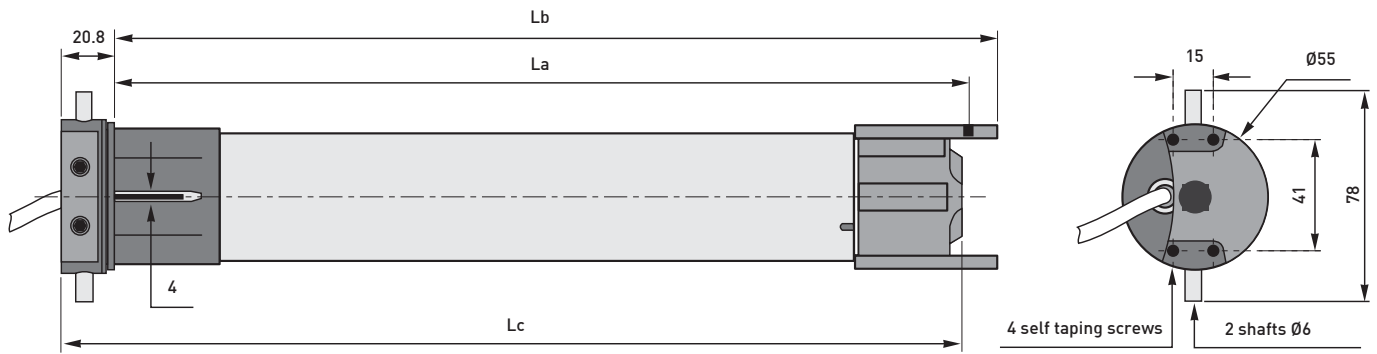


* Optional

Type 5 Non-Manual Over-ride Motors



Dimensions

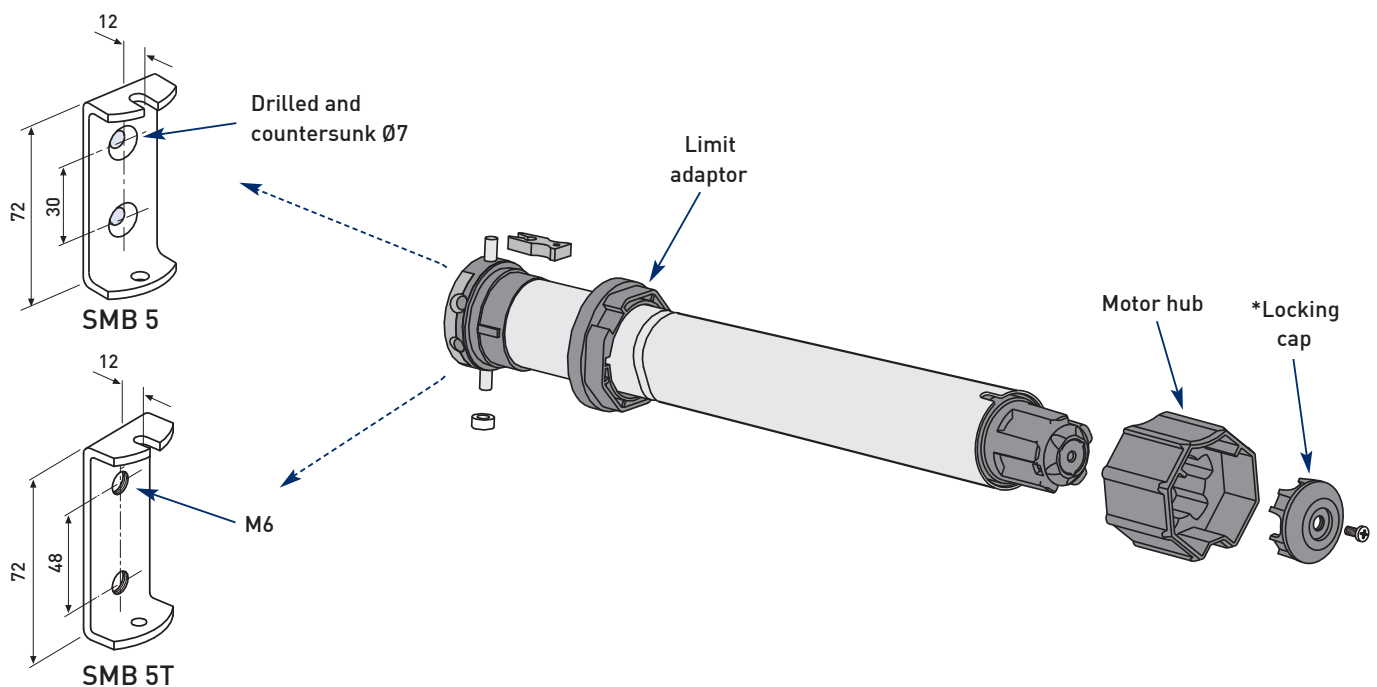


Model	506T12	510T12	515T12	520T12	530T12	540T12	550T12
La (mm)	503	503	503	503	583	583	583
Lb (mm)	519	519	519	519	599	599	599
Lc (mm)	530	530	530	530	610	610	610

Technical Specification

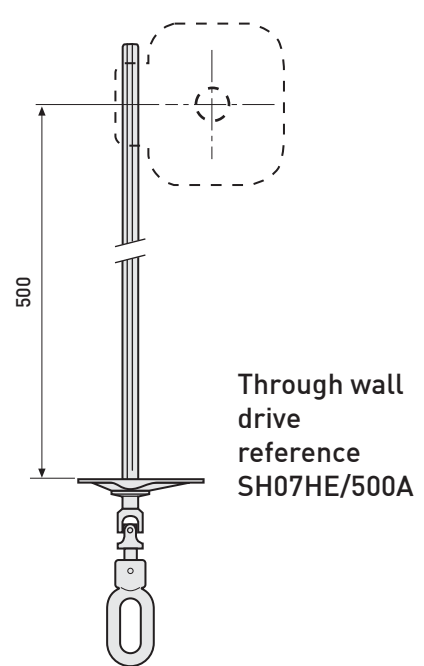
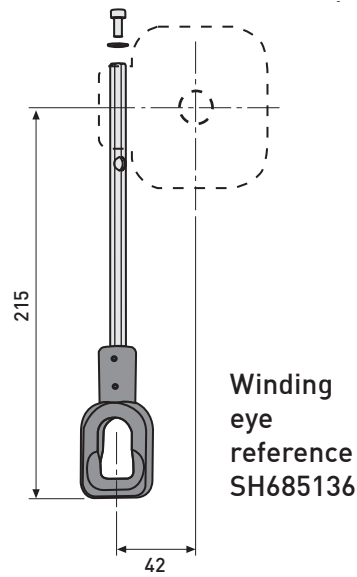
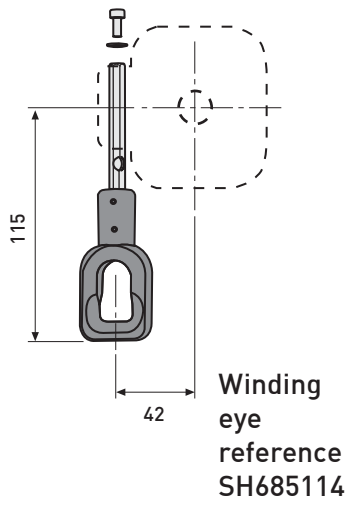
Model Non-Manual Over-ride Motors	506T12	510T12	515T12	520T12	530T12	540T12	550T12	
Output torque	Nm	6	10	15	20	30	40	50
Output speed	(min-1)	12	12	12	12	12	12	12
Motor power	W	90	100	120	140	160	240	240
Supply		230V-50Hz	230V-50Hz	230V-50Hz	230V-50Hz	230V-50Hz	230V-50Hz	230V-50Hz
Current	A	0.40	0.45	0.50	0.65	0.75	1.1	1.1
Protection		IP 44	IP 44	IP 44	IP 44	IP 44	IP 44	IP 44
Run time	(min)	4	4	4	4	4	4	4
Limit range	(turns)	28	28	28	28	28	28	28
Weight	Kg	1.5	1.7	1.9	2.5	2.75	2.75	2.9

Mounting detail



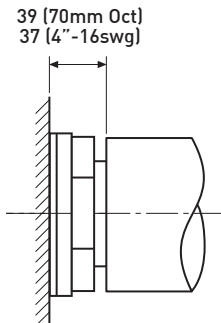
* Optional

Standard with manual over-ride motor

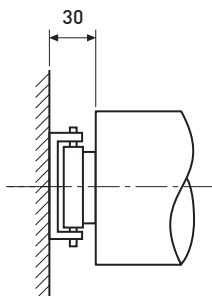


Barrel assembly dimensions

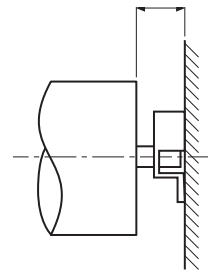
Manual over-ride motors



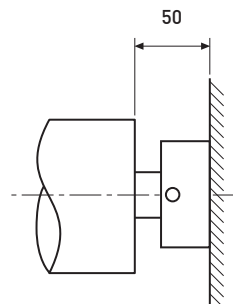
Non Manual over-ride motors



Octagonal bobbin



Standard bobbin



Lost bobbin

