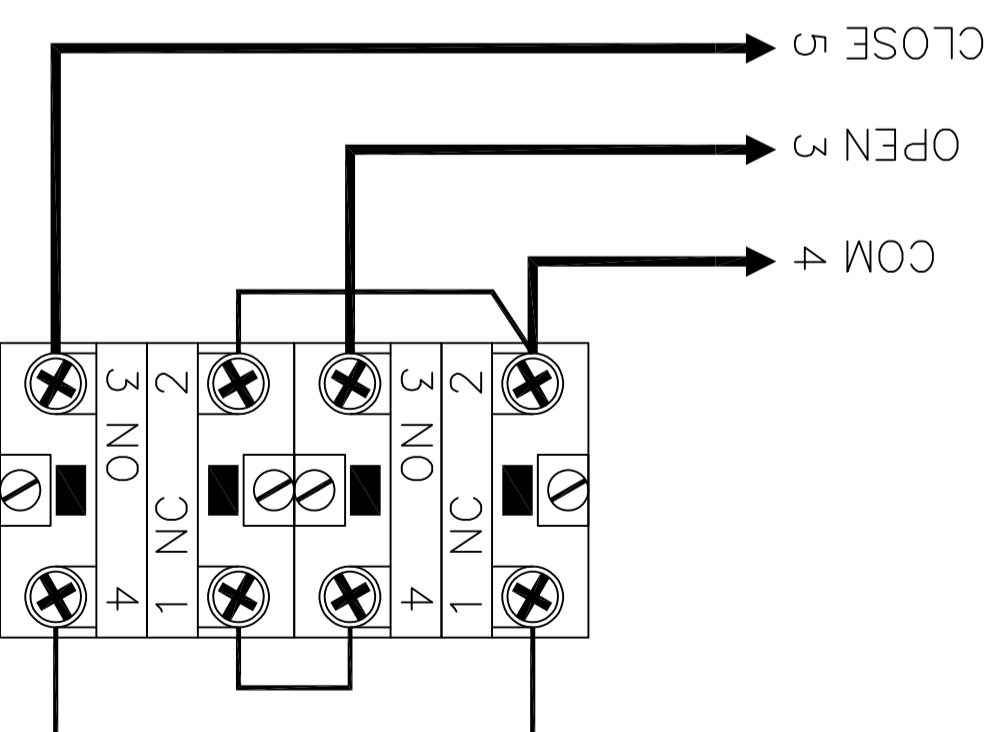
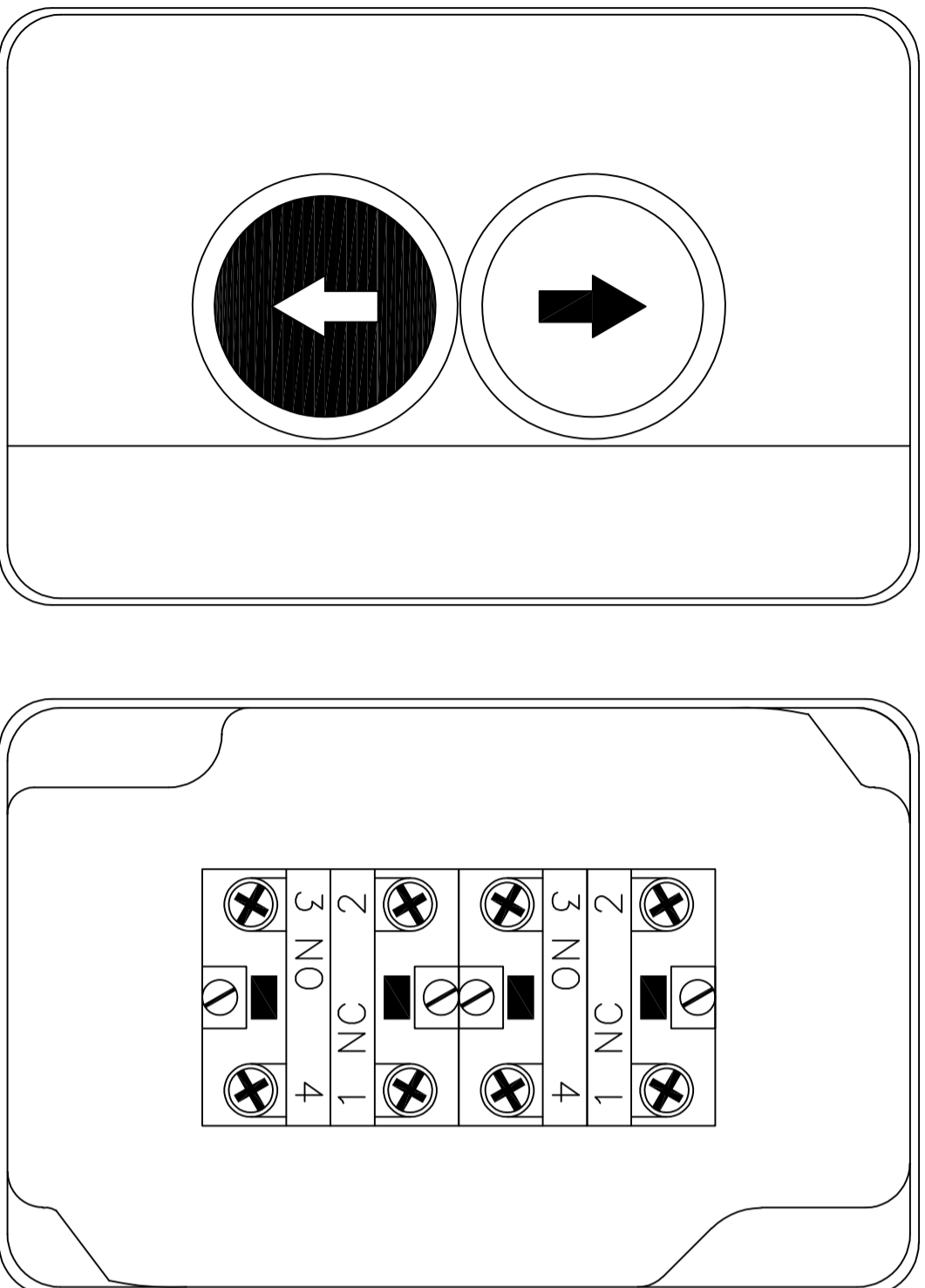



1 2 3 4 5 6 7 8



CONNECTIONS TO BUILT ON STARTERS

Tolerance				Scale (DIN A3)	Weight:
				Material:	Classification
Date		Name		Title:	
Drawn	2000/03/30	colind		GE2 PUSHBUTTON STATION	
Chkd	23/10/2018	weaver			
Article:					

GFA ELEKTROMATEN UK Ltd
 Tournament Fields Business Park, Agincourt Rd,
 Warwick, CV34 6XZ, England
 Telephone: 01 926 452452 Fax: 01 926 336417
 Web Site: www.gfa-elektromaten.co.uk

Drawing Number: GDE60033 / 2
 Sheet 1 of 1
 Product Group: Sheets