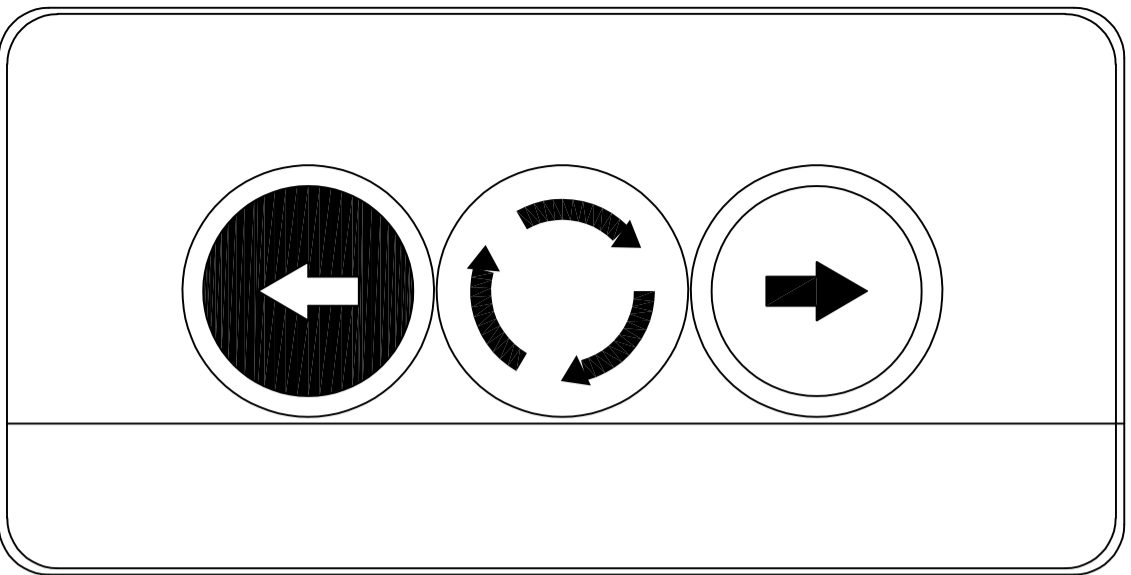
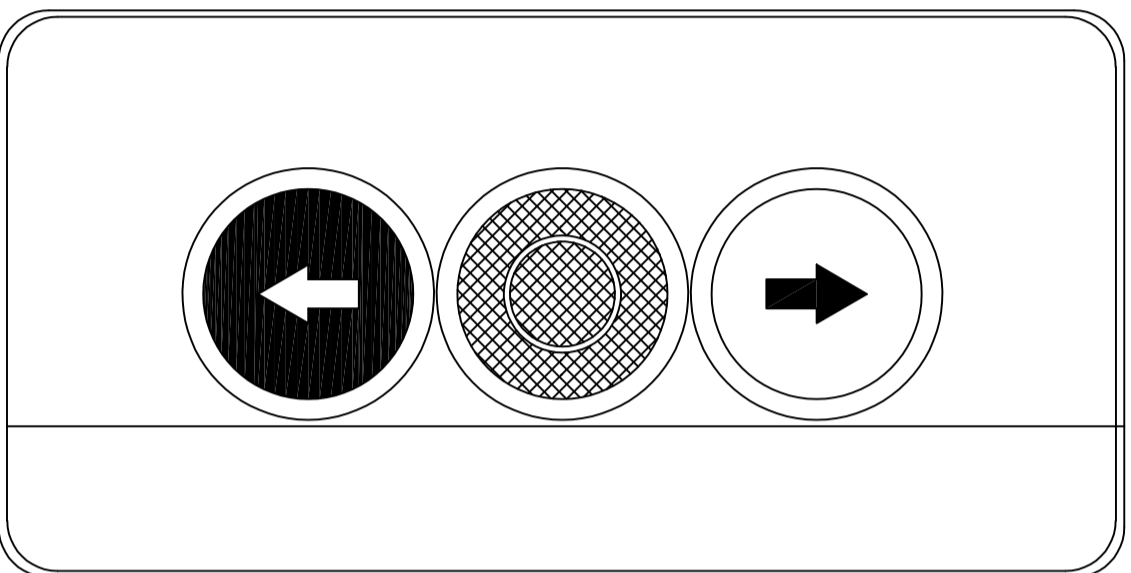


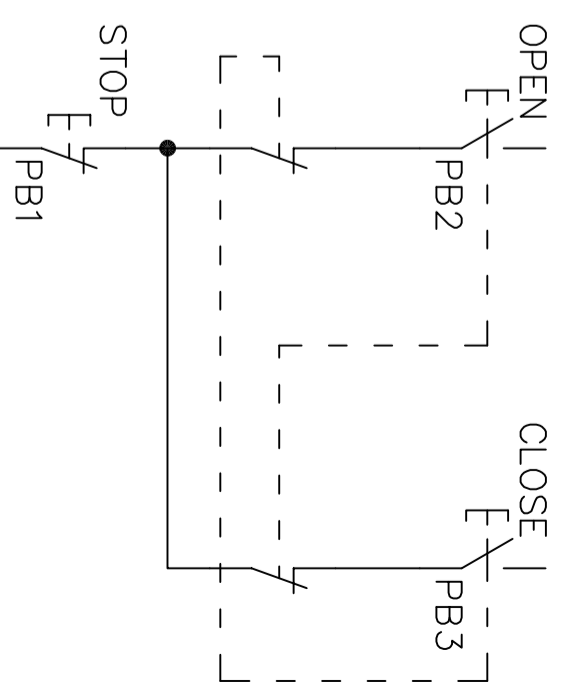
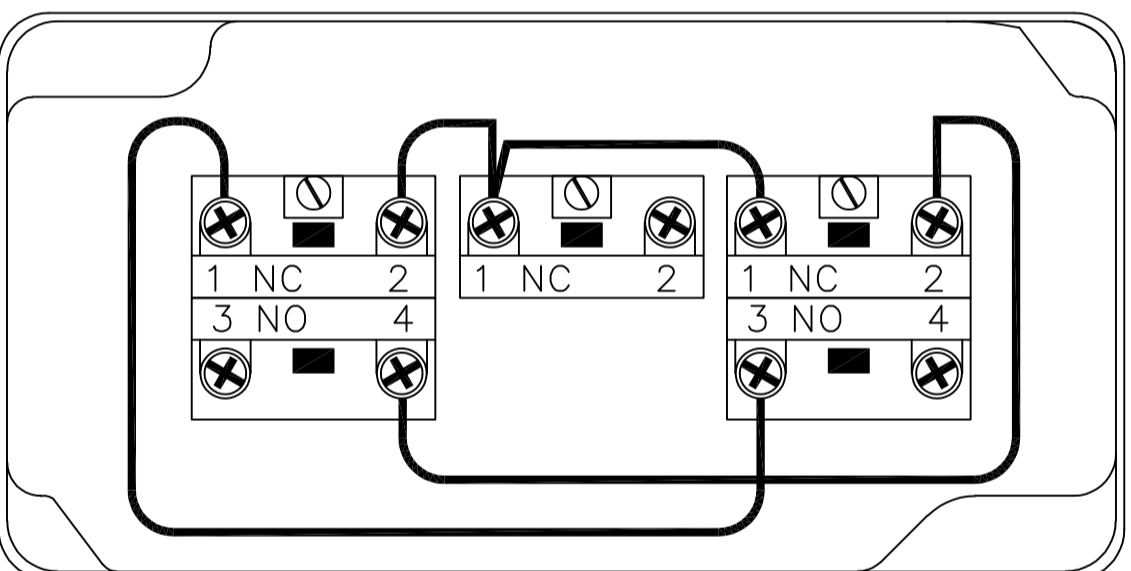
# Push Buttons made in sturdy high quality plastic for industrial doors. Protection class IP65



GE3AN



GE3A/A



Tolerance				Scale (DIN A3)	Weight:
				Material:	Classification
Date	Name			Title:	
Drawn	2011/10/20	Howard Weaver			3 Push Button Station Open, Stop, Close
Chkd	06/08/2018	weaver			

<b>GFA ELEKTROMATEN UK Ltd</b>		Article:	40015034
Tournament Fields Business Park, Agincourt Rd, Warwick, CV34 6XZ, England		Drawing Number:	GDE60805 / 2
Telephone: 01 926 452452 Fax: 01 926 336417		Sheet 1	of 1
Web Site: www.gfa-elektromaten.co.uk		Product Group:	

E

D

C

B

A