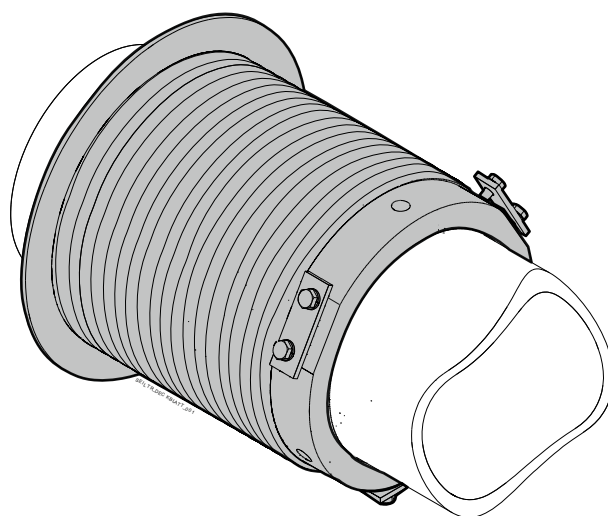




Installation Instructions

Cable drum - Type A

Model: 30001196



-en-

Status: 06/2019



Safety-relevant chapter

Explanation of symbols

The following symbols are used in these installation instructions:

⚠ DANGER

Safety note: Non-compliance will result in death or severe injury.

⚠ WARNING

Safety note: Non-compliance can result in death or severe injury.

⚠ CAUTION

Safety note: Non-compliance can result in injury.

NOTICE

Note: Non-compliance can result in material damage and impairment of product functionality.

i NOTE

Note: Points out useful additional information.

Target audience of the installation instructions

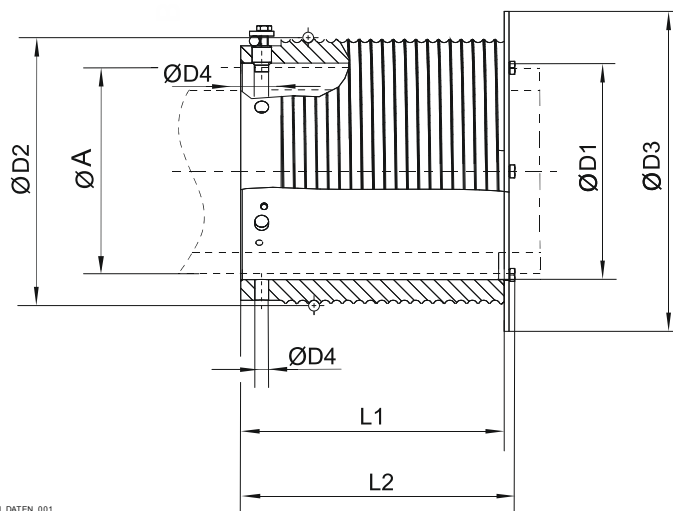
These installation instructions are geared towards qualified persons trained in the handling of door systems. Expert knowledge, relevant skills and practical experience are what set apart qualified persons. They are capable of safely carrying out the tasks involving installation, maintenance and modernisation according to the instructions.

Intended use

The cable drums are intended for installation on the tube of an industrial door. The limit values indicated in the technical data must not be exceeded. The operational safety can only be ensured if used as intended.

GfA ELEKTROMATEN GmbH & Co. KG
Wiesenstraße 81
D-40549 Düsseldorf
www.gfa-elektromaten.de
info@gfa-elektromaten.de

Technical data



SETR_TECHN_DATEN_001

Dimensions in	
A	133
D1	134
D2	165,4
D3	198
D4	8,5
L1	163
L2	170,3

Part no.	Pitch	Cable Ø	Usable cable length	Maximum door weight	Permissible force (each drum)
30001196	right-handed	6 mm	9 m	500 kg	5000 N
30001197	left-handed				



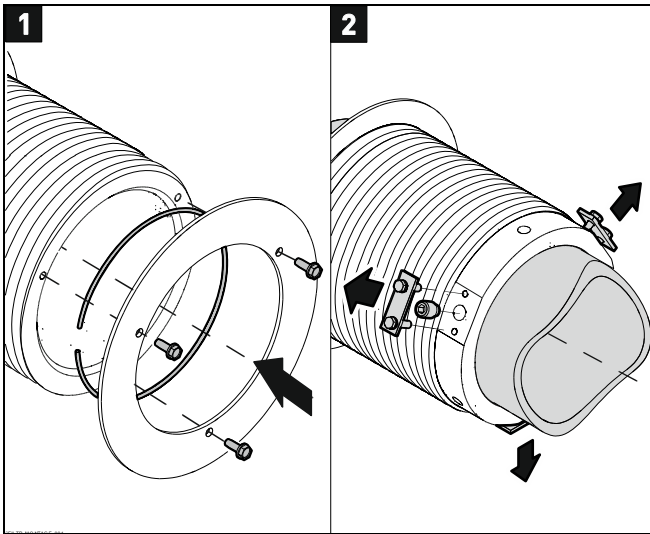
- Pitch and cable diameter information is indicated on every cable drum.
Example: R6 = right-handed, cable diameter of 6 mm.

Installation

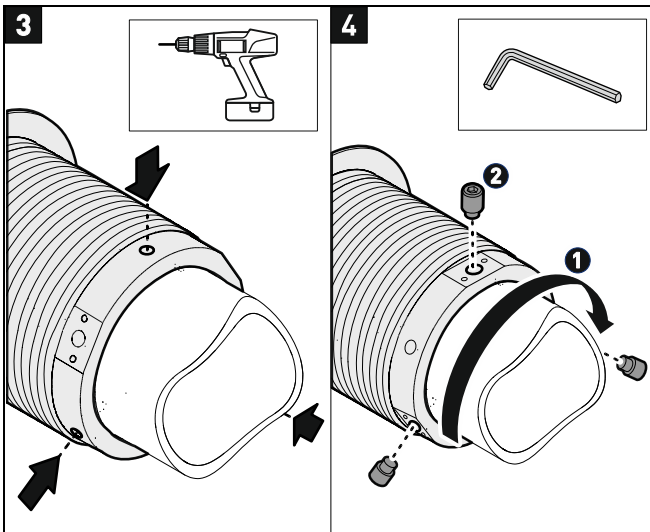
⚠ WARNING

Risk of death or injury as a result of uncontrolled door movement.

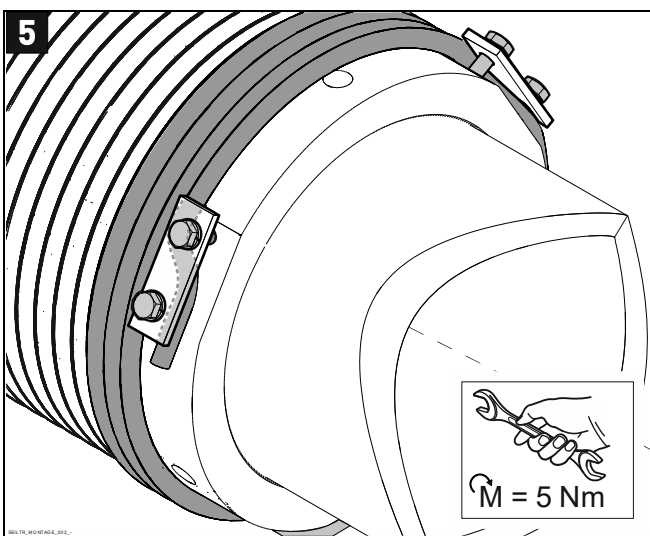
- Use a cable of the prescribed diameter.
- Ensure that the cable has a safety factor of six as compared to the maximum permissible cable force.
- At least two windings of cable have to remain on the cable drum when the door has reached the CLOSE end position.



1. Loosen the flanged pulley.
Insert the supplied alignment cable. Attach and secure the flange pulley above it. Lightly tighten the bolts so that the cable drum can still move on the tube.
2. Remove the fastening plates. Loosen the threaded pins underneath. Slide the cable drum onto the tube.



3. Use the shown bores as guidance for drilling three holes of a diameter of 8.5 mm into the tube.
4. Turn the cable drum so that the threaded pins engage in the new holes. Screw in the threaded pins so that they are flush with the cable drum. Tighten the bolts of the flanged pulley with 5 Nm (see Step 1.).



5. Lightly tighten the fastening plates. Guide the cable through all three fastening plates. Tighten the bolts with 5 Nm.