

1 Introduction

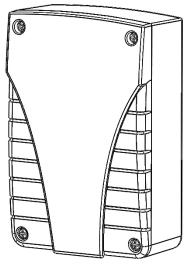


Fig. 1

F100100082

2 RELAY RECEIVER RX26-XPL5-GFA

The receiver Erone type XPL500 (Fig. 1) is a single conversion superheterodyne receiver with integrated rolling-code decoding. The demodulation is AM/ASK. A special algorithm allows to keep synchronized transmitter and receiver. The receiver, having dry contacts relays output, can be connected to any type of device (gate, garage door, rolling shutters, awnings, anti-burglar appliances, lighting, etc.). The transmitter memorization can be carried out either with 2 push-buttons of the receiver or remotely, using only the keys of the transmitter. The setup of the remaining parameters of the receiver can be done only with the 2 push buttons of the receiver. All the setting steps are displayed by a backlit LCD display. The internal data can be saved/restored to/from an external memory.

2 Technical Specifications

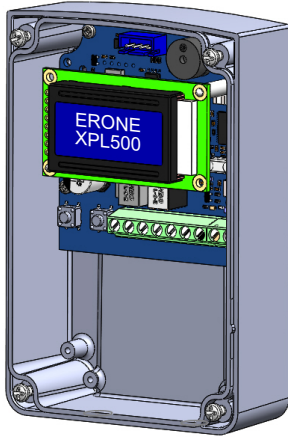


Fig. 2

Receiver type:	Supereheterodyne.
Demodulation:	AM/ASK.
Operating frequency:	433.92 Mhz.
Sensitivity (for good signal):	-115 dBm.
Input load:	50 Ohm.
Power supply :	12 o 24 V ac/dc.
Current consumption (@12Vdc)	from 25 mA to 90 mA (max)
N° of relays:	2 (1 NO and 1NO / NC).
Max power on relay output:	24VA max 60V .
Memory capacity:	500 transmitters
Security protocol	Keeloq® Hopping code
N° of code combinations	2exp64
Operating temperature:	from -20 to + 70 °C.
Dimensions (Fig. 2):	120 x 80 x 40 mm
Weight:	65 gr.
Relay operating mode	Pulse, step, timed
Delay	from 1 sec. to 24h: 59 min.

3 Mounting

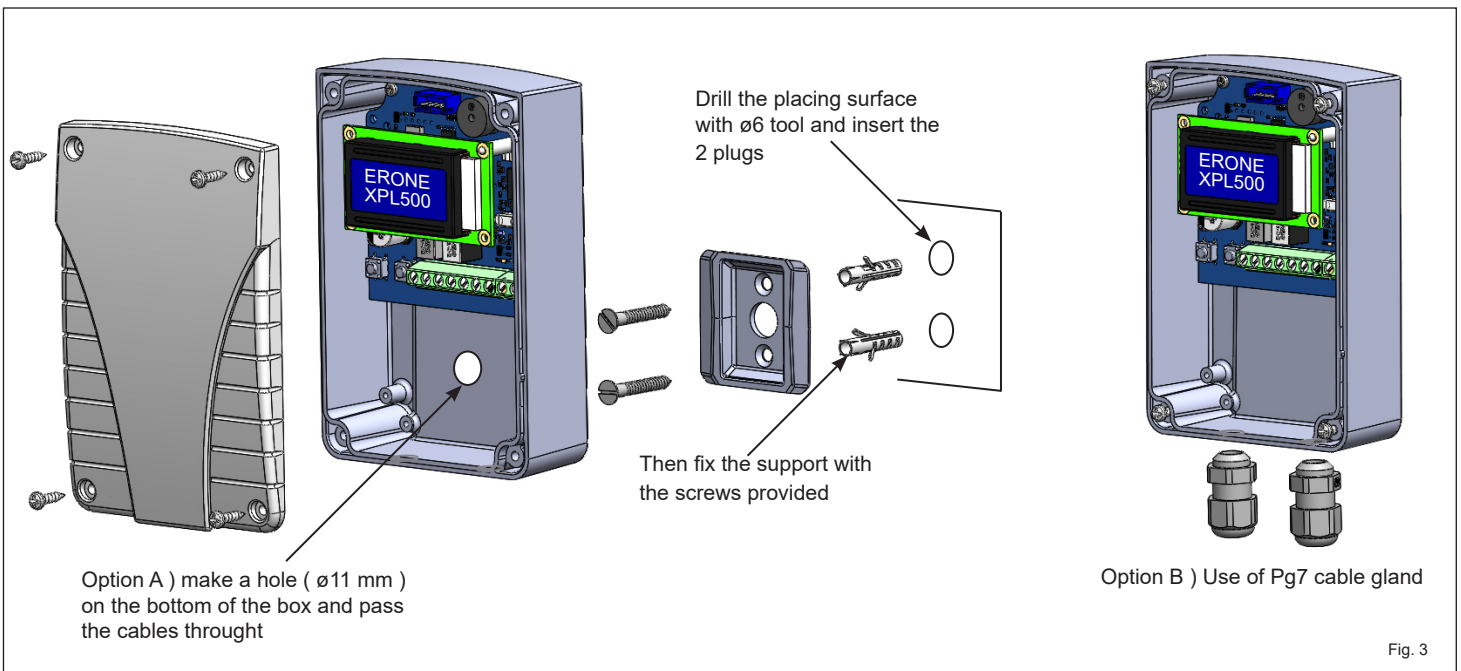
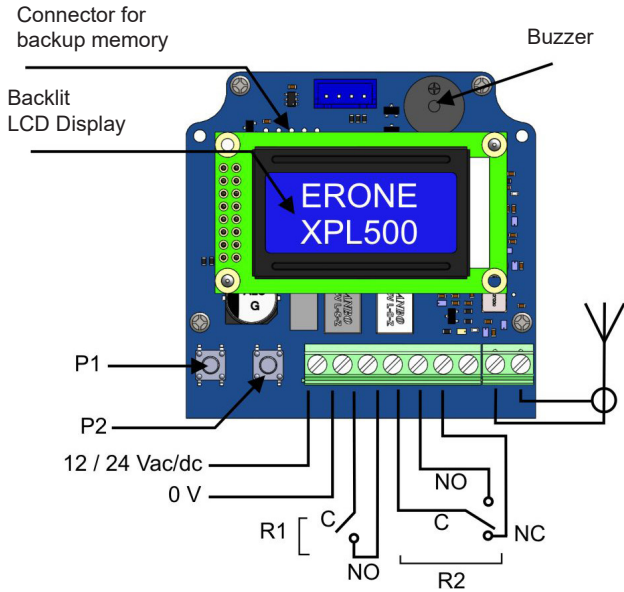


Fig. 3

4 Layout & Wiring



5 Compatible transmitters

GFA transmitters

6 Warnings



The receiver allocation is very important for the best operation of the system. Place the receiver far from interference sources such as big magnetic fields or radio emissions. The installation and the positioning of the antenna is very important as well. Before installing the antenna it's advisable to make some tests on the site. The distance between 2 receiver must be at least 1,5m. The appliance full comply with the requirements of the following European Directives : 2006/95/CE, 2004/108/CE, 99/05/CE and the Standard EN 60335-1.

7 Display Legend

There are 2 methods available:
 1) Using P1 and P2 throughout the menu
 2) Remote from the receiver, using a transmitter already in the receivers memory (Mode PLUS).

P1 : enter the menu (4 sec.)
 or
 confirm the choice

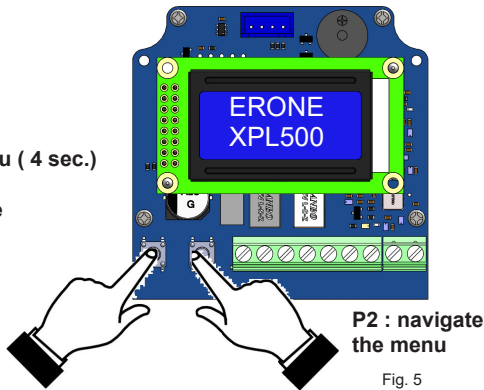
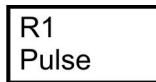
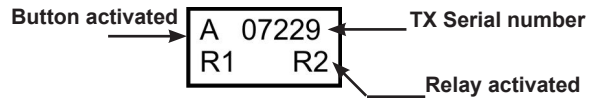


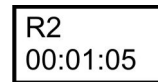
Fig. 5



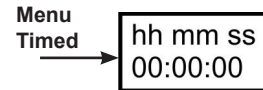
Relay 1 : Pulse



Relay 1 : Step

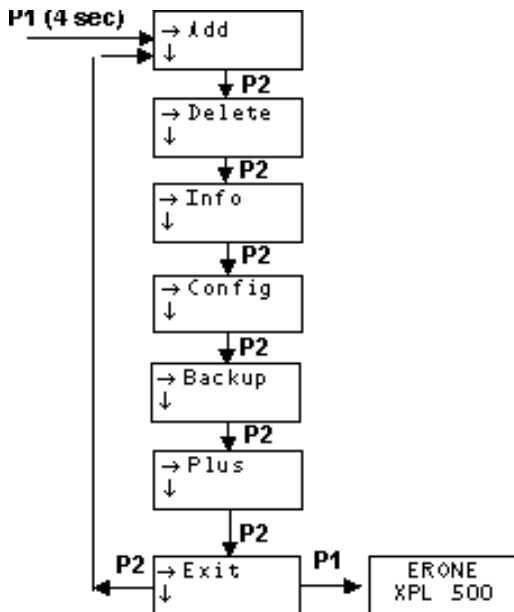


Relay 2 : Timed



The factory value for the timing is 1 sec. Use P1 to scroll the digits and P2 to confirm

8 Programming / Navigation menu



Add: Add transmitters s/n

Delete TX : Delete a single transmitter, the button of a transmitter, a transmitter from a list , all transmitters Reset to factory default

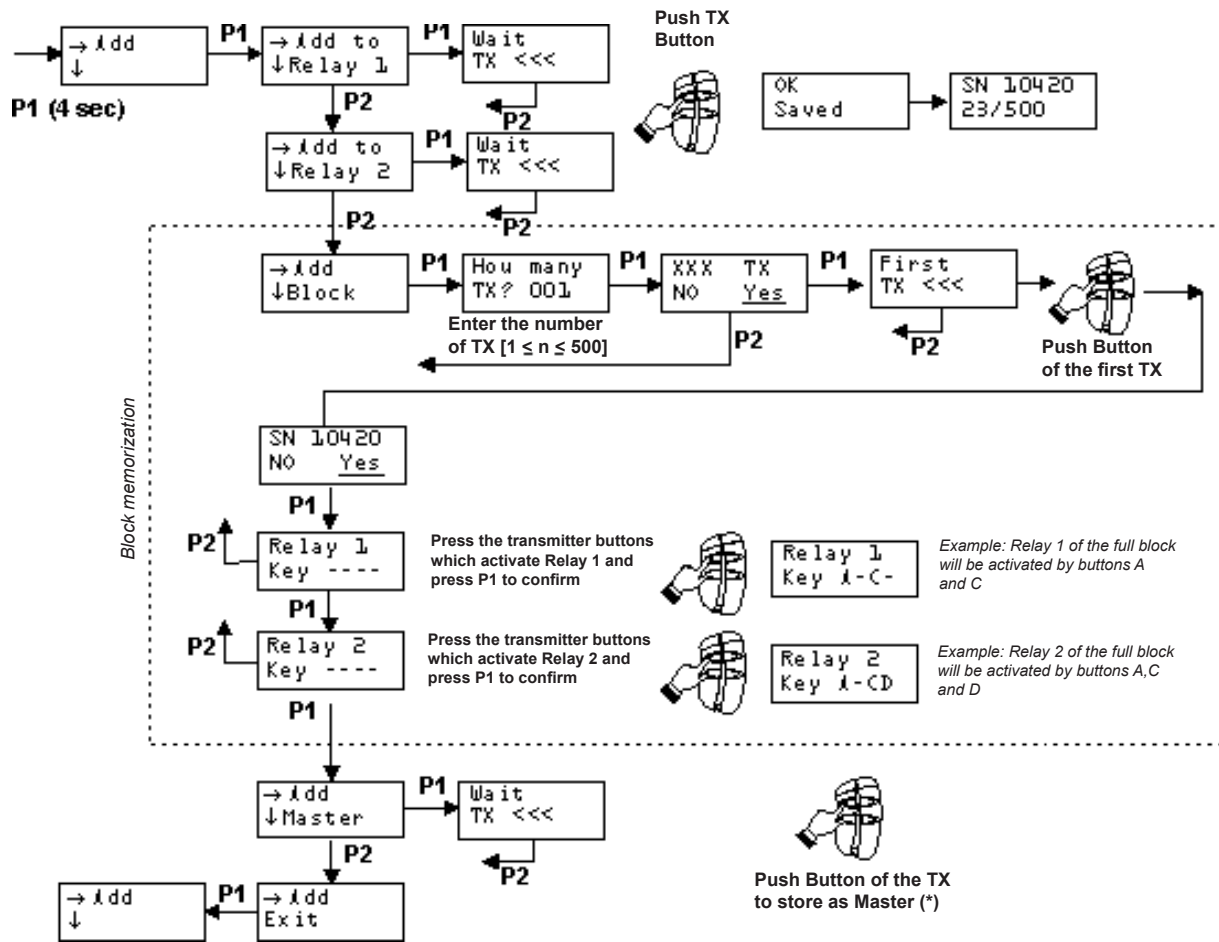
Info relays : Display relays operating mode, the number of Tx memorized, the of Transmitters, the SW release.

Config relay 1 or 2
 Set relay operating mode (pulse , step, timed)
 Set delay time of relay

Backup to : data backup to an external memory
Restore from : data restore from an external memory

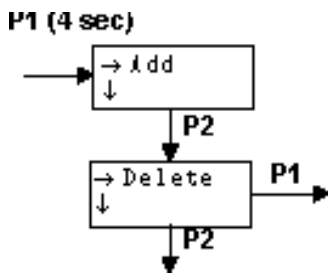
Plus ON : Enable remote transmitter memorization
Plus Limited : Enable remote transmitter memorization only using a TX «master» (see chapter 12)
Plus OFF : disable remote transmitter memorization

9 Menu Add



(*) NOTE : The first TX added acts as Master: that means that it can be used to add more tx using the PLUS option. The submenu Add Master allows to assign the Master property to any other TX already in memory even not memorized on the first position. Once a TX has been assigned as Master, its property cannot be removed unless to delete it from the memory using the Delete menu. The transmitters «Master» are identified with the «#» in the list.

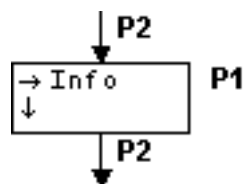
10 Menu Delete



- Delete TX : Delete a transmitter. It's necessary to have the transmitter available because the system requires the RF transmission;
- Delete Button : Delete the single button of a transmitter;
- Delete by List : Delete a transmitter from a list. In this case it is enough to know the S/N of the transmitter to delete to complete the cancellation;
- Delete All TX : Delete all transmitters;
- Delete setting : Reset to factory default: delete all the transmitters and reset the operating mode of the relays to PULSE.

For all the options, use P2 to scroll and P1 to confirm

11 Menu Info

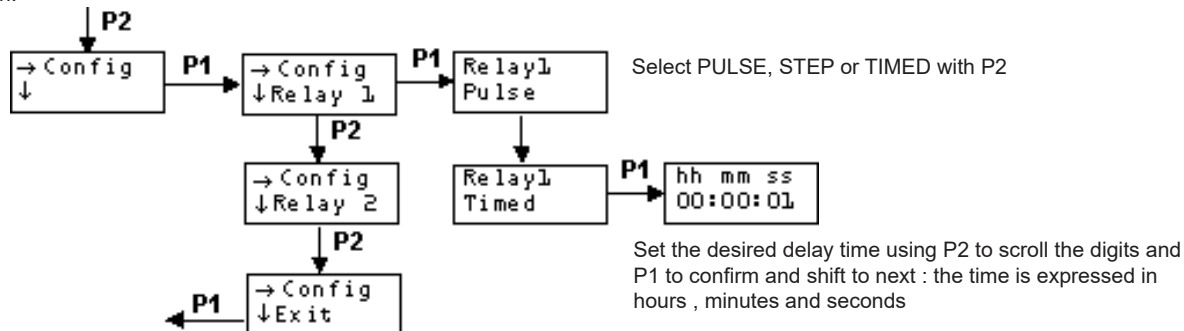


- Info relays : Display relays operating mode
- Info N. Users : Display number of Tx memorized
- Info List : List of Transmitters
- Info Version : SW release.

For all the options, use P2 to scroll and P1 to confirm

12 Menu Config

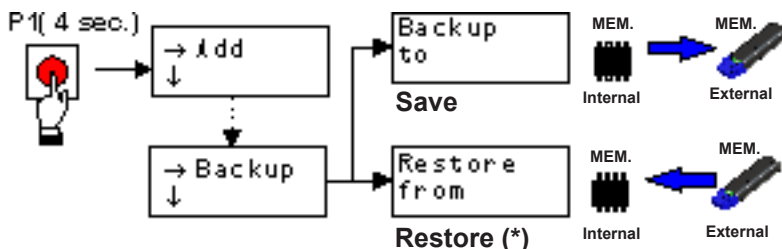
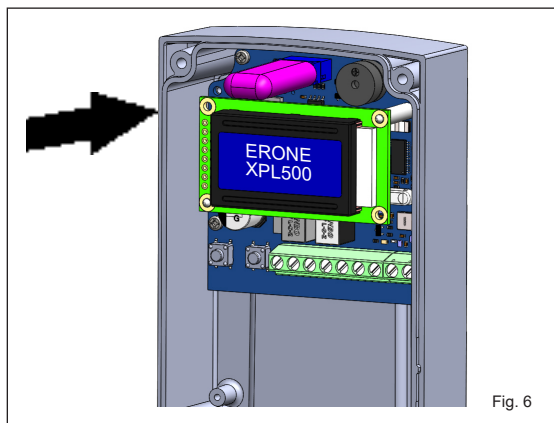
Allows to set the operating mode of the relays R1 and R2, as Pulse, Step or Timed. In case of Timed it's possible to set the delay time from 1 sec. to 24h: 59 min.



13 Backup / Restore

Plug-in the memory in the proper receiver connector

Allows to create a backup of the memory data base and save it onto an external memory (fig. 6)



(*) Attention : this operation will overwrite all data of the internal memory

14 Memorization Plus

The memorization PLUS allows to add a new transmitter remotely, without using the push-buttons P1 & P2. It's enough to use a transmitter «Master».

A transmitter «Master» can be :

- 1) the first transmitter added;
- 2) any transmitter memorized and changed as «master» using the Add Master submenu ;

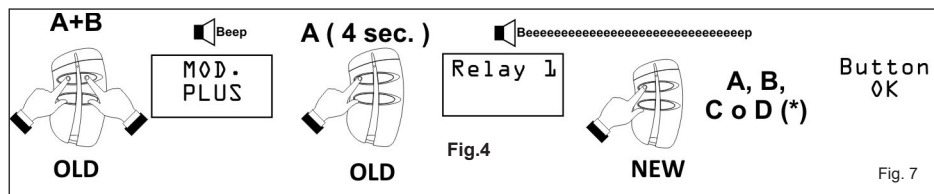
The PLUS feature can be : ON, Limited or OFF

Plus ON : remote transmitter memorization enabled;

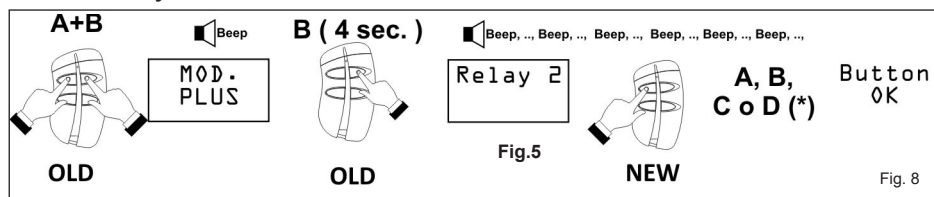
Plus Limited : remote transmitter memorization enabled only using a TX «master» (see fig. 7-8);

Plus OFF : remote transmitter memorization disabled;

Memo TX on relay 1



Memo TX on relay 2



(*) : Push the button of the new transmitter before the end of the beep.

NOTE : If the option «PLUS LIMITED» is set, the transmitter which «opens» the memorization can be only the first transmitter memorized. If the option PLUS is OFF the remote memorization is disabled.

If the option PLUS is ON the remote memorization of a new transmitter can be done using any transmitter already in memory.

The memorization PLUS is active only if there is, at least, one transmitter in the memory. When the memory is empty, the memorization of the first transmitter can be effected only using the buttons P1 and P2.

GUARANTEE

The warranty period for this product is 12 months, beginning from the manufacturer date. During this period, if the product does not work correctly, due to a defective component, the product will be repaired or substituted at our discretion. The guarantee does not cover the plastic container integrity. After-sale service is supplied at the factory.

