



# Installation Instructions

**ELEKTROMAT  
SE 9.24-25,40 Ex**

Model: 10002595 00001

**-en-**





Status: 01.03.2026



GfA ELEKTROMATEN GmbH & Co. KG  
Wiesenstraße 81  
D-40549 Düsseldorf  
🌐 [www.gfa-elektromaten.de](http://www.gfa-elektromaten.de)  
✉ [info@gfa-elektromaten.de](mailto:info@gfa-elektromaten.de)

Table of contents

1	General safety information .....	4
2	Technical data .....	6
3	Technical data gearbox .....	7
4	Technical data motor .....	8
5	Technical data terminal box .....	9
6	Technical data limit switch / switch emergency manual operation .....	9
7	Mechanical installation .....	10
8	Electrical installation .....	15
9	Limit switch setting .....	17
10	Motor connection .....	19
11	Limit switch connection .....	19
12	Emergency manual operation (emergency hand crank) .....	20
13	Completion of initial operation / inspection / operation .....	22
14	Disposal .....	24
15	Konformitätserklärung Motor .....	27
16	Konformitätserklärung Zubehör .....	28
17	Declaration of incorporation / Declaration of conformity .....	30
18	UKCA: Declaration of incorporation / Declaration of conformity .....	31

<b>Symbols</b>	
	<b>Warning</b> - Potential injury or danger to life!
	<b>Warning</b> - Danger to life from electric current!
	<b>Note</b> - Important information!
	<b>Requirement</b> - Required action!

Schematic representations are based on product examples. Deviations from delivered products are possible.



## 1 General safety information

### Specified use

The drive unit is intended for vertically moving sectional doors with full counter-balancing. The drive unit can be used in hazardous areas thanks to its explosion protection according to ATEX 2014/34/EU.

The drive unit must be protected against moisture and aggressive environmental conditions (such as corrosive substances). The drive units are only suitable for indoor use. Appropriate protective measures must be taken for outdoor installation. The values specified in the technical data of the drive unit must not be exceeded. The safe operation can only be ensured if used as specified.

### Target audience of these installation instructions

These installation instructions are geared towards qualified persons trained in the handling of door systems. Expert knowledge, relevant skills and practical experience are what set apart qualified persons. They are capable of safely carrying out the tasks involving installation, maintenance and modernisation according to the instructions.

### Safe operation

The safe operation of the product can only be ensured if it is used as specified. Follow the installation instructions. Observe all specifications, especially warnings, when installing the product in the overall system. GfA is not liable for damage resulting from non-observance of the installation instructions. The resulting overall system must be reassessed for its safety in accordance with applicable standards and directives (e.g. CE marking). These installation instructions refer only to a part of the overall system and are not sufficient as the sole instructions for the overall system. The installer of the system must prepare the instructions for the overall system. We recommend entering the danger area of the system only when the drive unit is at a standstill.



**Warning - Failure to follow these installation instructions may result in severe injury or death.**

- Please read these instructions before using the product.
- Keep these instructions handy.
- Include these instructions when passing on the product to third parties.



**Warning - Danger from improper use of the product!**

- Do not let children operate the product unsupervised or use as a toy.



**Warning - Danger to life from incorrect installation!**

Work carried out improperly may result in death or severe injury from electrical current or falling parts.

- Allow only competent people to carry out the work.
- Disconnect all cables from the power supply.
- Observe valid regulations and standards.
- Use suitable tools.



**Warning! Danger to life from falling objects if the drive unit is subjected to impermissible forces.**

Inadmissible forces (examples: collision with a forklift, dropping the drive unit, tearing or pulling on the motor) lead to damage to the drive unit. There is a risk of severe injury or death from falling objects.

- Prevent impermissible forces from acting on the drive unit,
- Check the drive unit for damage if impermissible forces have acted on it. Look even for minor damage. Lock the door during the inspection.
- Contact the service department if you have difficulty assessing the damage.



## 2 Technical data

Designation		Unit
Output speed	24	rpm
Output torque	90 (90) <sup>1)</sup>	Nm
Output / hollow shaft	25,40	mm
Series	SG 50	-
Limit switch range (maximum revolutions of the output / hollow shaft)	20	-
Supply voltage	3~ 400	V
Operating current	1,20	A
Operating frequency	50	Hz
Power factor cos $\phi$	0,71	-
Safety circuit	24	V
Degree of protection	IP 65	-
Temperature range	-10 / +40	°C
Operating sound pressure level	< 70	dB(A)
Cycles per hour	15 (14,5) <sup>1)</sup>	h <sup>-1</sup>
Max. holding torque	450	Nm
Max. load	4000	N
Explosion protection	II 2G Ex db eb h IIC T3 Gb II 2D Ex tb h IIIC 190°C Db	
Installation height	< 1000	m

Components used	
Gearbox	SG 50 60.T4
Motor	TNSA 71B/4 14 ASP
Terminal box	8146/1041
Limit switch / emergency manual operation switch	07-2511

### 3 Technical data gearbox

Designation		
Series	SG50-60.T4	
Manufacturer	GfA	
Explosion protection	II 2G Ex h IIC T4 Gb II 2D Ex h IIIC 130°C Db	
Max. output torque	90	Nm
Max. output speed	30	min <sup>-1</sup>
Shaft centre distance	50	mm
Transmission ratio	1 : 60	
Temperature range	-10 / +40	°C
Protection class	IP 65	

#### 4 Technical data motor

Designation		
Type	TNSA71B/4 14 ASP	
Manufacturer	MT Motori Elettrici	
Explosion protection	II 2G Ex e IIC T4...T3 Gb II 2D Ex tb IIIC T 100°C... T 135°C Db	
Certificate of verification	TÜV IT 14 ATEX 071 X Rev.2	
Supply voltage	230 / 400 +/- 5%	V
Operating current	2,1 / 1,2	A
Operating frequency	50	Hz
Power	0,37	kW
Power factor cos $\phi$	0,71	
Motor speed	1400	min <sup>-1</sup>
Motor torque	2,25	Nm
Operating mode	S3	
Degree of protection	IP 65	
Temperature class (G)	T3	
Temperature class (D)	T100	
Heating time tE	24	s
Ratio I <sub>A</sub> / I <sub>N</sub>	3,6	
Temperature range	-20 / +40	°C

## 5 Technical data terminal box

Designation		
Type	Ex e 8146/1041	
Manufacturer	Stahl	
Explosion protection	II 2G Ex e II T6 II 2D Ex tD A21 IP 66 T80°C	
Certificate of verification	PTB 01 ATEX 1016	
Supply voltage	250 max. 1100	V
Terminal cross-section	2,5	mm <sup>2</sup>
Temperature range	T6: -20 / +40 T5: -20 / +55	°C
Degree of protection	IP 65	

## 6 Technical data limit switch / switch emergency manual operation

Designation		
Type	07-2511-113061G	
Manufacturer	Bartec	
Explosion protection	II 2G Ex d IIC T6 II 2D Ex tD A21 IP 66 T80°C	
Certificate of verification	EPS 14 ATEX 1766 X	
Supply voltage	400	V
Temperature range	-20 / +40	°C
Degree of protection	IP 66	

### CAUTION

#### Component damage can result

- The maximum allowable current applied to the limit switches is 2A 400V for AC-15 and 0.15 250V for DC-13.

## 7 Mechanical installation



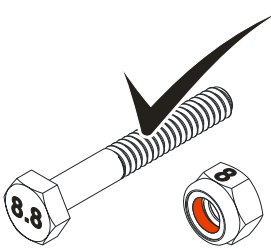
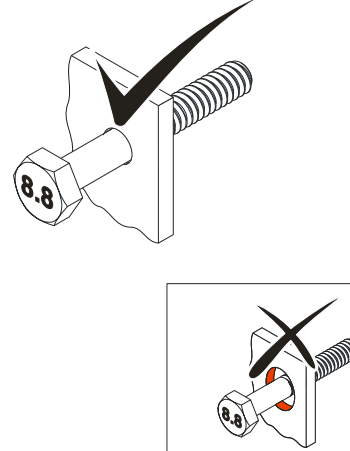
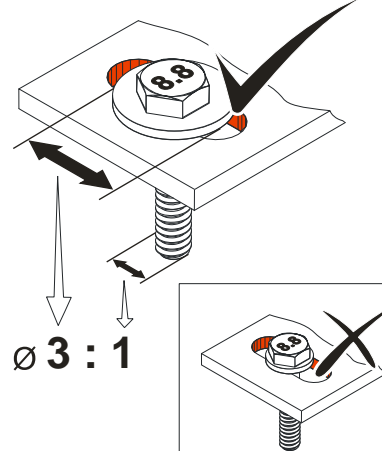
Warning – Explosion hazard!

- Check the atmosphere for explosion hazards before commencing installation tasks.

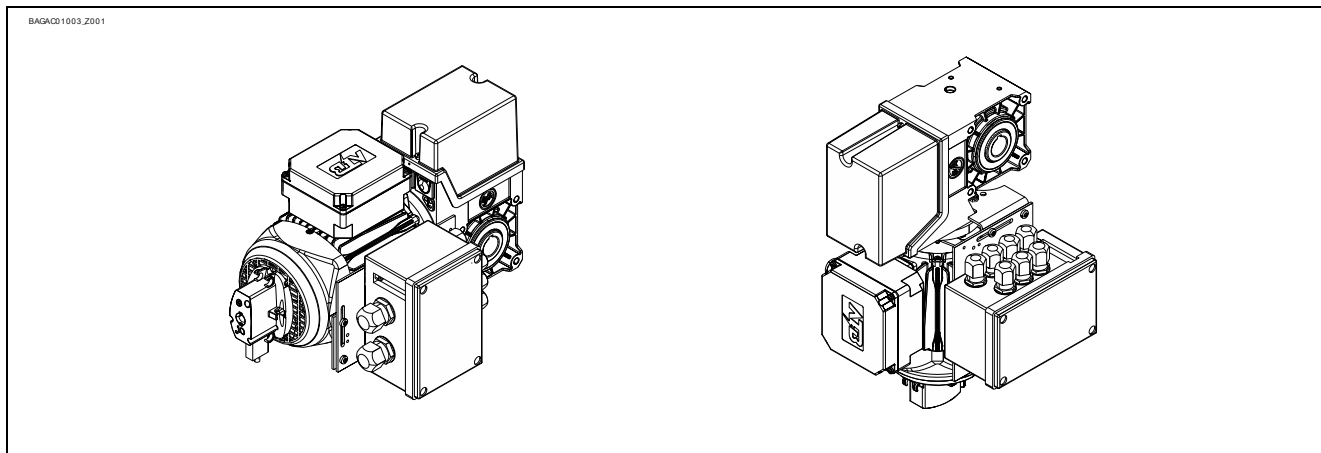
### Requirements

The permissible loads on walls, mountings, connection and transmission elements must not be exceeded even for maximum holding or locking torque (▢ observe technical data).

### Connection elements:

<ul style="list-style-type: none"> <li>• Use self-locking connection elements with a minimum strength of 800 N/mm<sup>2</sup> (8.8).</li> </ul>	<ul style="list-style-type: none"> <li>• Use a screw that precisely fits the hole.</li> </ul>	<ul style="list-style-type: none"> <li>• Use adequately dimensioned washers for elongated holes.</li> </ul>
<p><small>BAGAB00001_2002</small></p>  <p><b>≥ 800 N/mm<sup>2</sup></b></p>	<p><small>BAGAB00002_2002</small></p> 	<p><small>BAGAB00003_2002</small></p>  <p><b>∅ 3 : 1</b></p>

## Permissible mounting positions



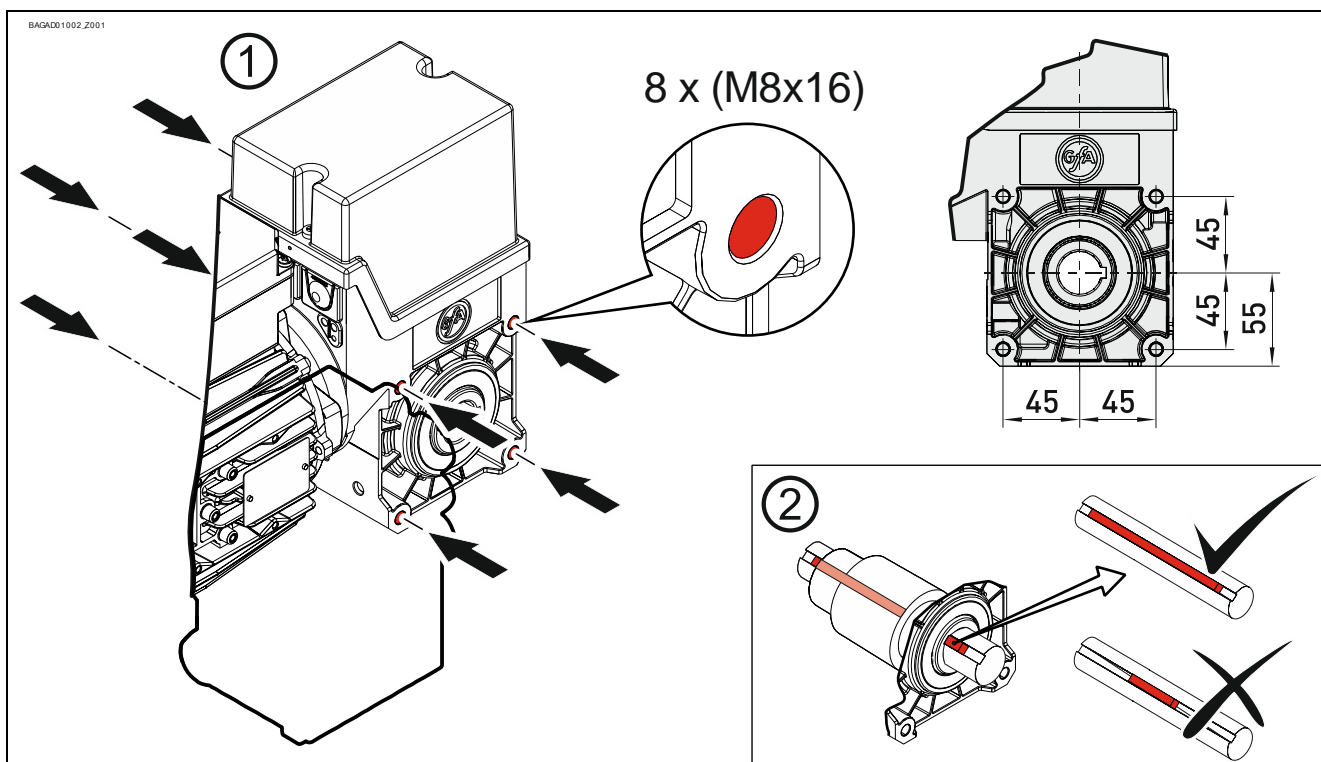
## Mounting

8 threads are provided for mounting.

- Use at least 2 for mounting (①).

The shaft of the door is connected with a key.

- A key with the minimum length of the hollow shaft (②) is used.



## Installation

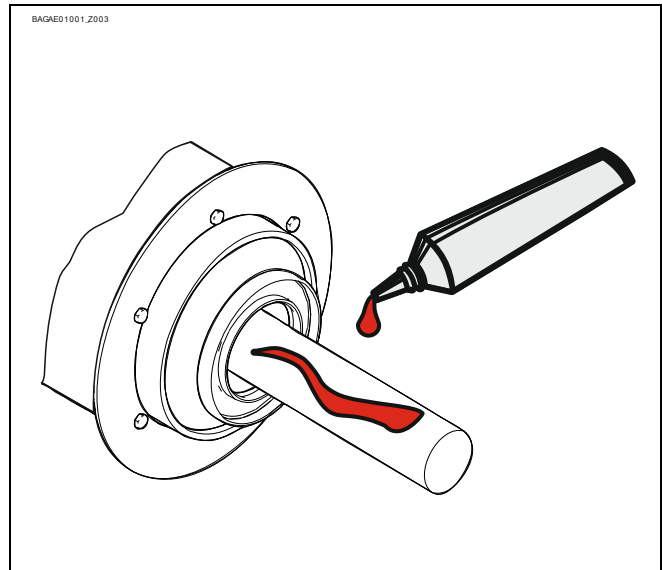
The following descriptions refer to a door which is not further defined. The door manufacturer's specifications must also be observed.



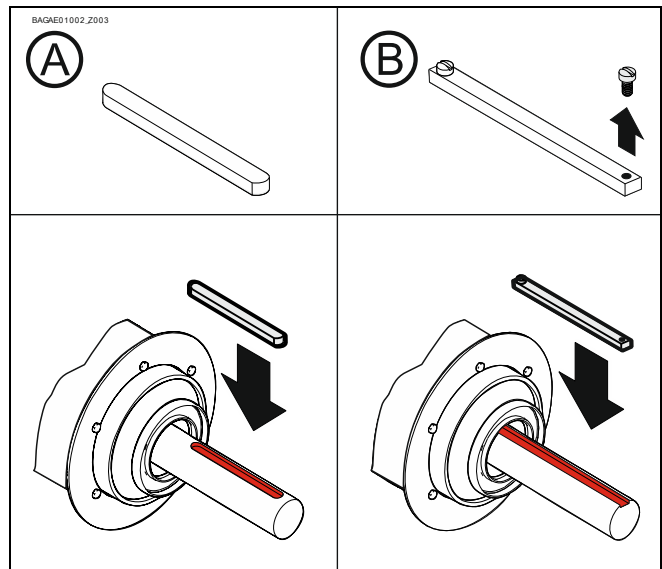
Warning – Injury or danger to life possible!

- Use a lifting device with sufficient load-carrying capacity for installation tasks.

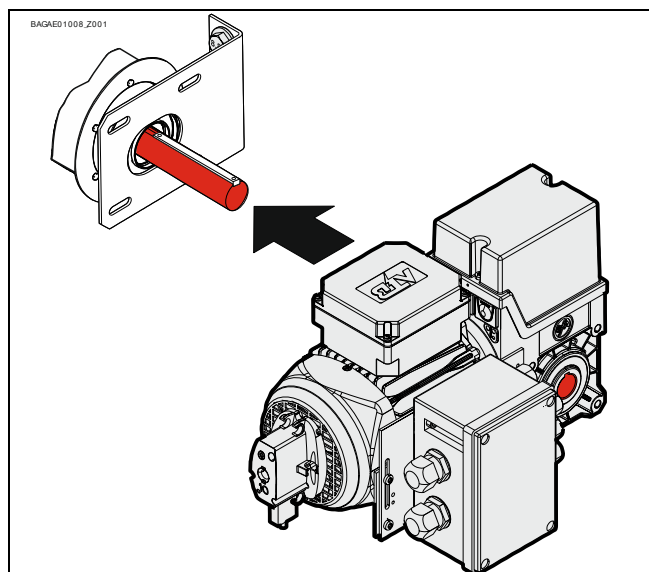
- Completely grease the door shaft.



- Mount the key. Pay attention to possible variant (A) or (B).



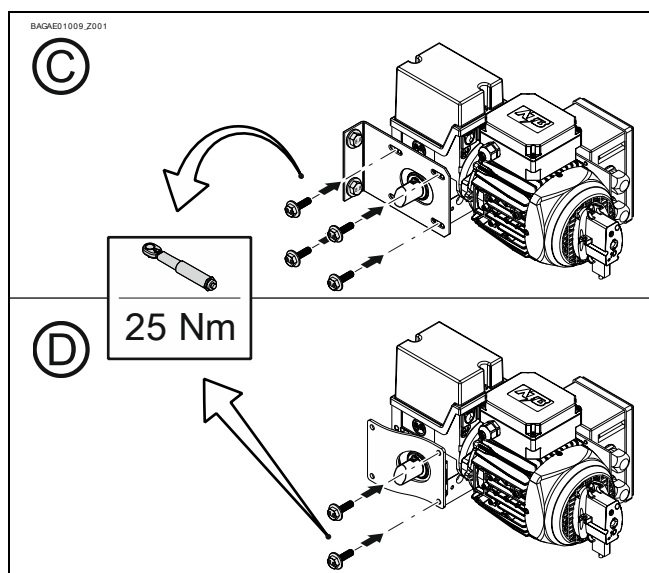
- Attach the drive unit.



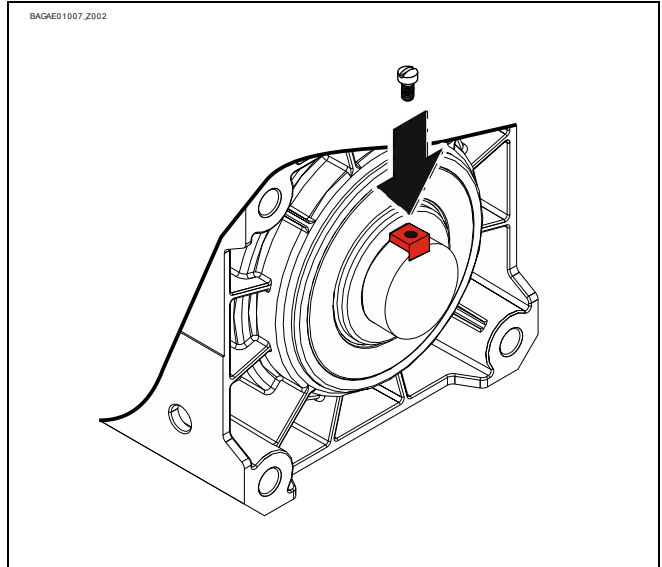
Note – possible stalling of the gearbox!

- Do not hit the gearbox with a hammer when placing the drive unit on the shaft. Hammer blows or similar impacts of force may stall the gearbox.

- Tighten all connection elements (M8) with a torque of 25 Nm. Install all further connection elements according to the specifications of the door manufacturer.



- Secure the key (only variant **B**).



## 8 Electrical installation



**Warning – Danger to life from electrical shock!**

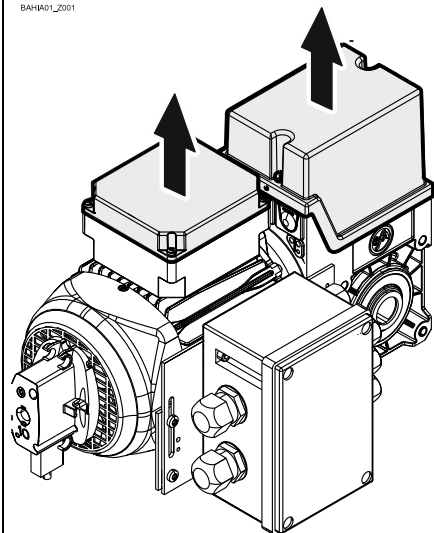
- Disconnect the cables (mains OFF) and check that the supply is off
- Observe the applicable regulations and standards
- Ensure proper electrical connection
- Use suitable tools

### Carrying out the electrical installation

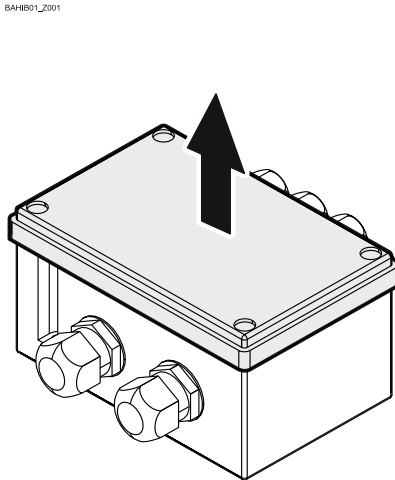
Remove the cover.

Remove the cover.

BAHA01\_Z001



BAHB01\_Z001



Connect motor/limit switch connection cable



---

### **Protection against overload**

Motor protection switch / motor protection relay mains operation

The "Ex" motor must be protected against overload by means of a motor protection switch or a motor protection relay. Only use motor protection relays with manual reset. Short-circuit protection is also required. The excess current setting must be selected such that the motor is disconnected from the mains within the heating time  $t_E$ . The actual tripping time  $t_A$  at a relative operating current of  $I_A / I_N$  must be calculated on the basis of the tripping characteristic of the excess current relay. It must be ensured that  $t_A < t_E$  is given.

### **Completing the electrical installation**

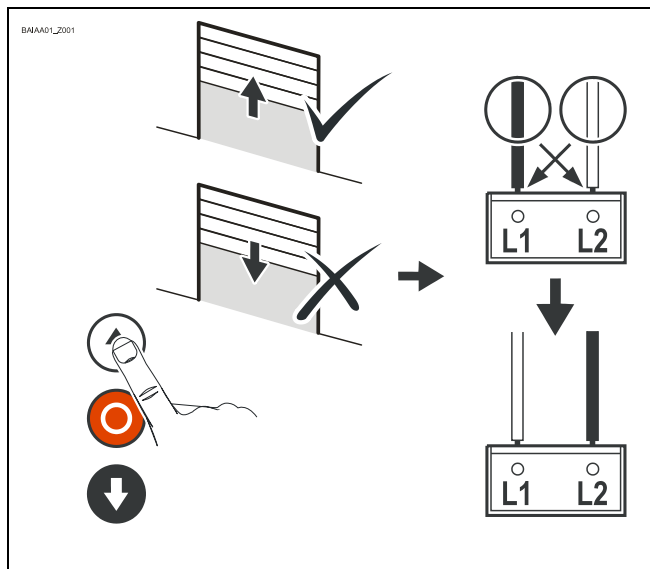
Install cable entries and/or cable glands.

## 9 Limit switch setting

The limit switch setting defines the final limit positions OPEN and CLOSE.

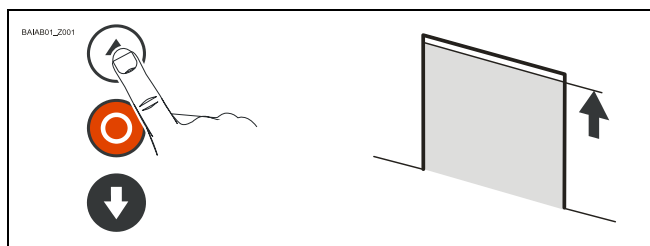
### Requirement

The door should open by pressing the OPEN push-button of the control. If the door closes, L1 and L2 must be swapped in a de-energised state.

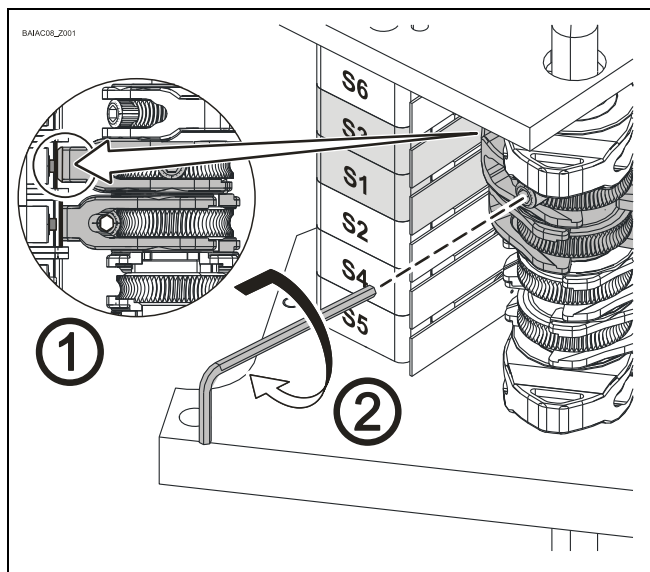


### Setting of OPEN final limit position

Open to the desired OPEN final limit position using the OPEN push-button.

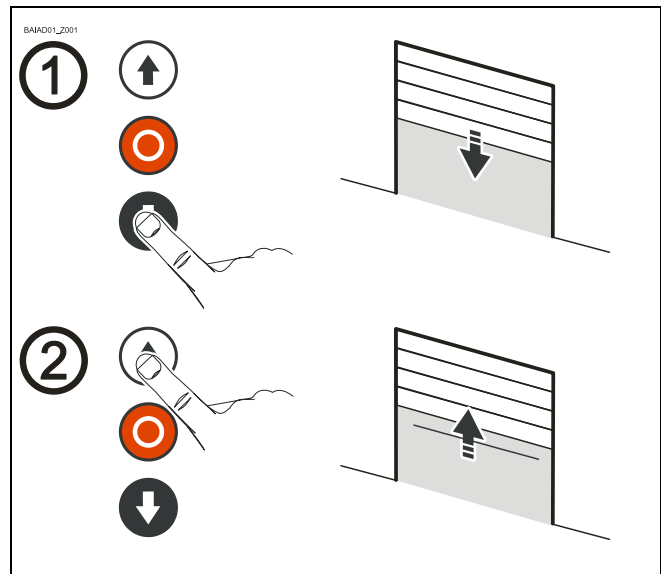


Turn the cam of the S3 OPEN limit switch to the centre of the switch plunger ①.  
Tighten the screw of the cam ②.

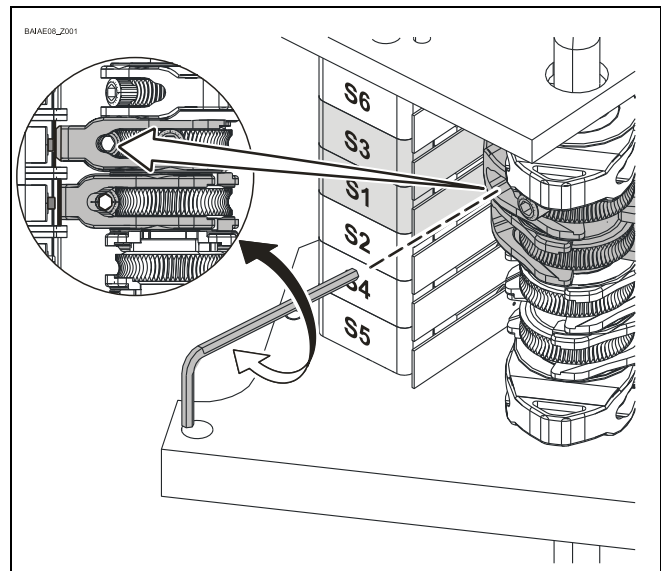


Check the door position:

Close the door ① until the cam is released and open it again ② until the OPEN final limit position is reached.



The OPEN final limit position can be corrected by following the fine adjustment procedure. Check the door position after each correction.

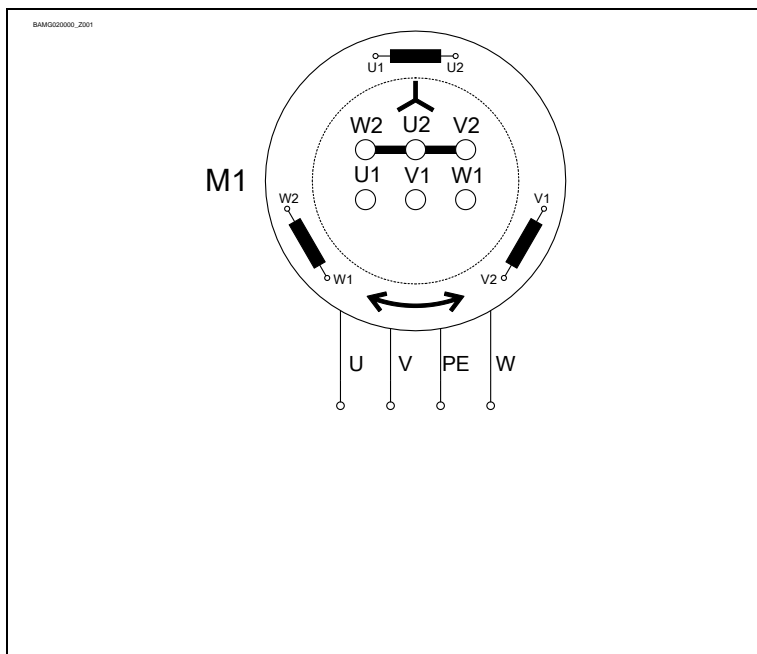


The S1 EMERGENCY OPEN limit switch is preset by the setting of the OPEN final limit position. The door must stop without posing any risks should the rotating direction be incorrect or should there be a fault with the S3 OPEN limit switch. Follow the fine adjustment procedure to correct the switching point of the limit switch as needed.

### Setting of CLOSE final limit position and auxiliary limit switch

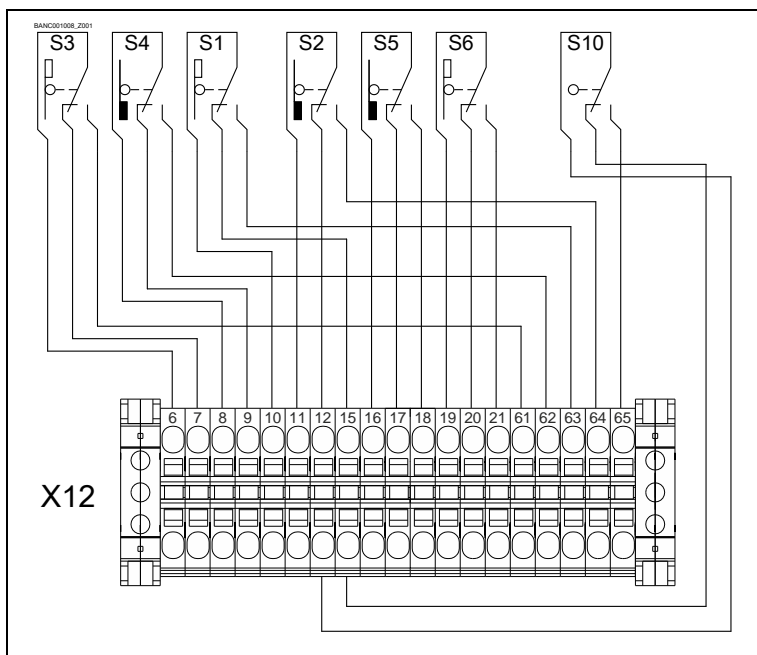
The same setting procedure applies as for setting the OPEN final limit position.

## 10 Motor connection



**M1** Motor

## 11 Limit switch connection



**S10** Emergency manual operation

**X12** Terminal strip

**S1** Emergency OPEN limit switch

**S2** Emergency CLOSE limit switch

**S3** OPEN limit switch

**S4** CLOSE limit switch

**S5** Additional limit switch

**S6** Additional limit switch

## 12 Emergency manual operation (emergency hand crank)

The emergency manual operation is designed for opening or closing the door without power supply. Its activation interrupts the control voltage. Electrical operation is no longer possible.



### Warning – Injuries due to incorrect operation or falling objects!

- Switch off voltage.
- Adopt a secure position.
- For drive units with brake, the emergency manual operation must be carried out against the closed brake.



### Warning - Danger of the door dropping!

If you need to apply more than the permissible force of 390N (according to DIN EN 12604/DIN EN 12453) to move the door by emergency manual operation, this indicates a stalling on the drive unit or door. Releasing the stalling may cause the door to drop.

- Adopt a secure position.
- For drive units with brake, the emergency manual operation must be carried out against the closed brake.



### Warning – Explosion hazard!

Sparks may be generated when using the emergency manual operation.

- Check the atmosphere for explosion hazards. The emergency manual operation must only be used in a non-explosive atmosphere.



### Caution – Damage to components!

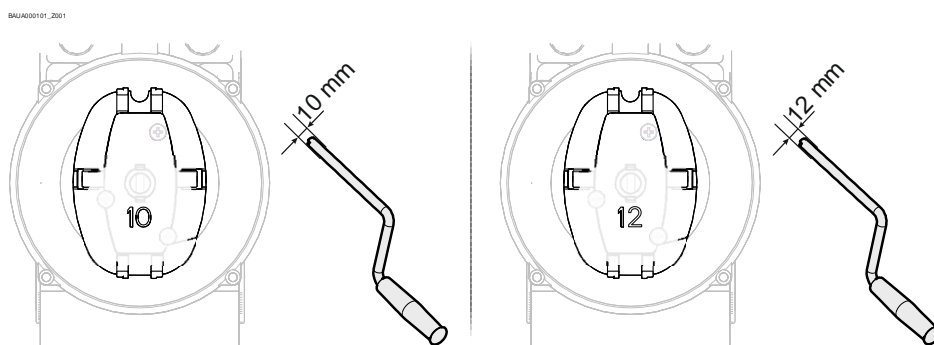
- Do not move the door beyond the final limit positions.



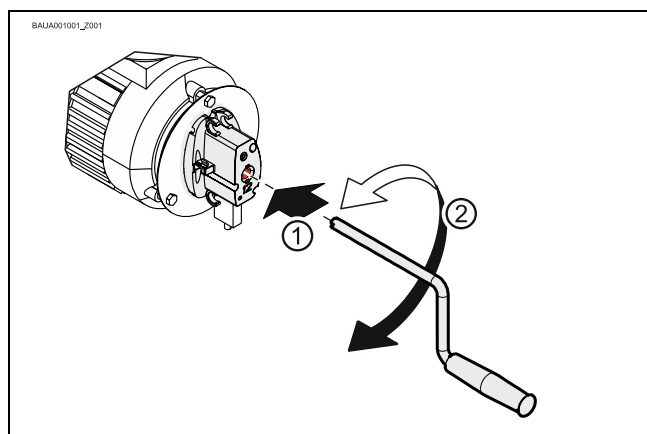
**Warning – Risk of injury due to uncontrolled movements and falling objects!**

The drive unit could start up unexpectedly and injure people should a wrong emergency hand crank be used. A wrong crank will drop out of the mounting and injure people.

- Only use a crank with the correct diameter. The diameter is indicated on the crank handle switch:

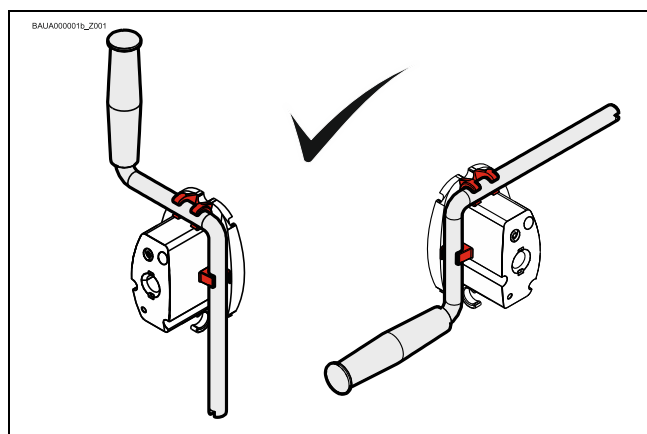


Plug in the crank and turn until it engages (①). Open or close by turning the crank (②).



After use, the crank may be attached to the drive unit.

- Attach as illustrated.



## 13 Completion of initial operation / inspection / operation

Check the following components and after that, mount all covers.

### Gearbox

Check drive unit for oil loss (some drops are not critical). Protect output shaft permanently against corrosion.



#### Oil loss!

- Oil loss may render explosion protection ineffective. Oil maintenance is inadmissible.

### Motor

Check motor for defective bearings

### Mounting

Check all mounting elements (consoles, torque mounts, screws, retaining rings etc.) for tightness and impeccable condition.

### Electric wiring

Check connection cables and cables for damage or pinches. Check screw connections for correct seating and electrical contact.

### Emergency actuation

Function to be checked in a de-energised state. Check for correct functioning is to be carried out between the final limit positions only.

### Limit switches

Check the final limit positions by opening and closing the door completely. The safety zone must not be reached.

### Entire drive unit



#### Attention – Dust deposits!

- Properly remove dust deposits at regular, adequately short intervals, should these be unavoidable due to operation processes. Performed cleaning tasks should be documented.



#### Note!

- Have a specialist check the drive unit once a year.
- Shorter inspection interval for frequently used doors.
- Observe the applicable regulations and standards

## 14 Disposal

### Dispose of packaging

Dispose of the packaging material properly according to the local legal regulations or recycle it.

### Dispose of old devices

Dispose of old devices properly according to local legal regulations. Return old devices to the return and collection systems available. You can also return GfA products free of charge. Please apply enough postage to the package and mark it as "old devices".



#### **Notice- Environmental damage!**

The gearbox contains oil.

- Ensure proper disposal according to local legal regulations.

# EU Declaration of conformity

within the meaning of Explosion Protection Directive 2014/34/EU  
regarding the safe assembly of components



GfA ELEKTROMATEN GmbH & Co. KG  
Wiesenstraße 81 · 40549 Düsseldorf  
Germany

---


We  
**GfA ELEKTROMATEN GmbH & Co. KG**  
declare under our sole responsibility that the  
following modules comply with the above directive  
and that no new hazards arise from their assembly.  
The assembled modules are intended only for  
installation in a door system.


Standards applied:  
**EN ISO 80079-36:2016**  
Explosive atmospheres -  
Part 36: Non-electrical equipment for explosive  
atmospheres - Basic method and requirements.

Drive unit  
**SE 9.24-25,40 Ex**  
Part no.: 10002595 00001

Consisting of:  
Gearbox series: SG 50 60.T4  
Motor: TNSA 71B/4 14 ASP  
Terminal box: 8146/1041  
Limit switches: 07-2511

Higher-level product identification code

 II 2G Ex db eb h IIC T3 Gb

 II 2D Ex tb h IIIC 190°C Db

Düsseldorf, 10.08.2018

**Stephan Kleine**  
CEO

  
Signature

# EU Declaration of conformity

within the meaning of Explosion Protection Directive 2014/34/EU  
Appendix VIII, "Internal production control"





GfA ELEKTROMATEN GmbH & Co. KG  
Wiesenstraße 81 · 40549 Düsseldorf  
Germany

We,  
**GfA ELEKTROMATEN GmbH & Co. KG**  
declare under our sole responsibility that the  
following module complies with the above directive  
and that no new hazards arise from assembly. The  
assembled modul are only intended for installation in  
a door system.

Gearbox  
**SG 50 60.T4**

Identification of the product according to Directive:

 II 2G Ex h IIC T4 Gb

 II 2D Ex h IIIC 130°C Db

Notified body pursuant to Directive:  
TÜV Nord Anlagetechnik GmbH  
Am TÜV 1  
30519 Hannover, Deutschland

Registration number: 8000306986

Düsseldorf, 01.10.2019

**Stephan Kleine**  
CEO

Signature

Standards applied:  
**EN ISO 80079-36:2016**  
Explosive atmospheres -  
Part 36: Non-electrical equipment for explosive  
atmospheres - Basic method and requirements.

**EN ISO 80079-37:2016**  
Explosive atmospheres -  
Part 37: Non-electrical equipment for explosive  
atmospheres - Non-electrical type of protection  
constructional safety "c", control of ignition sources  
"b", liquid immersion "k".



**M.T. Motori Elettrici s.r.l.**  
Via Bologna, 175 (S.S. 568)  
40017 San Giovanni in Persiceto (BO)  
Cod. Fisc. e P.IVA: 00863511200  
REA 407664

Tel. 051/6875011 Fax 051/6871455  
info@electricmotorsmt.com  
www.electricmotorsmt.com

## Dichiarazione UE di Conformità

*EU Declaration of Conformity / Déclaration UE de conformité  
EU Konformitätserklärung / Declaration UE de conformidad*

La presente dichiarazione di conformità è rilasciata sotto la responsabilità esclusiva del fabbricante  
*This declaration of conformity is issued under the sole responsibility of the manufacturer / Die alleinige Verantwortung für die Ausstellung dieser Konformitätserklärung trägt der Hersteller / La présente déclaration de conformité est établie sous la seule responsabilité du fabricant / La presente declaración de conformidad se expide bajo la exclusiva responsabilidad del fabricante.*

### I motori elettrici asincroni serie

*Electric asynchronous motors / Les moteurs électriques asynchrones  
Elektrische asynchronmotoren typ / Los motores electricos asincronos del tipo*

## TNSA

che riportano la marcatura  
*bearing the marks / marqués / que llevan marcado*

CE 0948  II 2G Ex e II T4/T3 Gb II 2D Ex tb IIIC T100°C/T135°C Db TÜV IT-14 ATEX 071 X rev. 1

sono prodotti da **M.T. MOTORI ELETTRICI S.r.l.** in conformità alle seguenti Direttive UE:  
have been manufactured by **M.T. MOTORI ELETTRICI S.r.l.** in accordance with the following EU Directives:  
sont fabriqués par la société **M.T. MOTORI ELETTRICI S.r.l.** selon les Directives UE suivantes:  
wurden gefertigt von **M.T. MOTORI ELETTRICI S.r.l.** in Übereinstimmung mit den folgenden EU-Vorschriften:  
han sido fabricados por **M.T. MOTORI ELETTRICI S.r.l.** de acuerdo con las siguientes directivas UE:

## 2014/34/UE

e in conformità alle seguenti norme  
and complying with the following standards / et en conformité avec les normes suivantes :  
und sind entsprechend den folgenden standards / y conforme a las siguientes normas:

EN60079-0:2017; EN60079-7:2007; EN60079-31:2014

### Note / Notes / Note / Bemerkung / Notas

Direttiva Macchine / Machinery Directive / Directive Machine / Maschinen-Richtlinie / Directiva Maquinaria

- I motori in oggetto sono considerati componenti in accordo con la Direttiva Macchine se l'installazione è correttamente eseguita dal costruttore della macchina. Il motore non deve essere messo in servizio finché la macchina stessa su cui è montato non venga dichiarata conforme alla Direttiva Macchine.
- Above motors, considered as components, comply by designee with the Directive providing that installation is correctly performed by the manufacturer of the machinery. The motor must not be put into service until the machinery itself has not been declared in conformity with the Machinery Directive.
- Les moteurs ci-dessus, considérés comme composants sont conformes à la Directive Machine, si l'installation est correctement exécutée par le constructeur de la machine. Le moteur ne peut être incorporé et mis en service avant que la machine dans laquelle il est incorporé soit déclarée conforme à la Directive Machine.
- Für die korrekte Installation der oben genannten Motoren, sowie die dementsprechenden Komponenten, die in ihrer Bauart mit den zu dieser Bescheinigung aufgeführten Vorschriften übereinstimmen, ist der Maschinenhersteller - Betreiber verantwortlich. Die Motoren entsprechen den Vorschriften nur, solange die Anlage, in die sie eingebaut wurden, in Übereinstimmung mit den geltenden Maschinenrichtlinien und Vorschriften errichtet wurde.
- Los motores en objeto, por tratarse de componentes, cumplen las normas de la Directiva si la instalación está correctamente controlada por el constructor de la máquina. El motor no debe entrar en servicio hasta que la máquina en que ha sido incorporado disponga de la declaración de la Directiva Maquinaria.

Product Quality Assurance Notification Number: **TÜV IT 15 ATEX 008 Q**  
Notified by **TÜV ITALIA** - Notified Body n° **0948**

San Giovanni in Persiceto (BO)  
ITALY

  
**M.T. MOTORI ELETTRICI**  
Loreto Persiceto

**EU Konformitätserklärung**  
*EU Declaration of Conformity*  
*Déclaration de Conformité UE*





**R. STAHL Schaltgeräte GmbH • Am Bahnhof 30 • 74638 Waldenburg, Germany**  
 erklärt in alleiniger Verantwortung, declares in its sole responsibility, déclare sous sa seule responsabilité,

dass das Produkt: **Klemmenkästen**  
 that the product: *Terminal Boxes*  
 que le produit: *Boîtes de jonction*

Typ(en), type(s), type(s): **8146/1**  
**8146/2**

mit den Anforderungen der folgenden Richtlinien und Normen übereinstimmt.  
 is in conformity with the requirements of the following directives and standards.  
 est conforme aux exigences des directives et des normes suivantes.

Richtlinie(n) / Directive(s) / Directive(s)		Norm(en) / Standard(s) / Norme(s)
2014/34/EU 2014/34/EU 2014/34/UE	<b>ATEX-Richtlinie</b> <i>ATEX Directive</i> <i>Directive ATEX</i>	EN IEC 60079-0:2018 EN 60079-1:2014 EN IEC 60079-7:2015 + A1:2018 EN 60079-11:2012 EN 60079-18:2015 + A1:2017 + AC:2018 EN 60079-28:2015 EN 60079-31:2014
Kennzeichnung, marking, marquage:		 II 2 G Ex db eb ia mb op pr IIC T6...T4 Gb II 2 G Ex ia IIC T6...T4 Gb II 2 D Ex tb IIIC T80 °C...T130 °C Db  <b>CE0158</b>
EU Baumusterprüfbescheinigung: <i>EU Type Examination Certificate:</i> <i>Attestation d'examen UE de type:</i>		<b>PTB 01 ATEX 1016</b> (Physikalisch-Technische Bundesanstalt, Bundesallee 100, 38116 Braunschweig, Germany, NB0102)
Produktnormen nach Niederspannungsrichtlinie: <i>Product standards according to Low Voltage Directive:</i> <i>Normes des produit pour la Directive Basse Tension:</i>		EN 61439-1:2011 EN 61439-2:2011
2014/30/EU 2014/30/EU 2014/30/UE	<b>EMV-Richtlinie</b> <i>EMC Directive</i> <i>Directive CEM</i>	Nicht zutreffend nach Artikel 2, Absatz (2) d). <i>Not applicable according to article 2, paragraph (2) d).</i> <i>Non applicable selon l'article 2, paragraphe (2) d).</i>
2011/65/EU 2011/65/EU 2011/65/UE	<b>RoHS-Richtlinie</b> <i>RoHS Directive</i> <i>Directive RoHS</i>	EN IEC 63000:2018

Waldenburg, 2021-03-01

Ort und Datum  
*Place and date*  
*Lieu et date*

i.V.

  
**Holger Semrau**  
**Leiter Entwicklung Schaltgeräte**  
*Director R&D Switchgear*  
*Directeur R&D Appareillage*

i.V.

  
**Jürgen Freimüller**  
**Leiter Qualitätsmanagement**  
*Director Quality Management*  
*Directeur Assurance de Qualité*

EU Konformitätserklärung  
 EU Declaration of Conformity  
 Déclaration UE de conformité  
 N° 01-2511-7C0001\_B

**BARTEC**

Wir	We	Nous
<b>BARTEC GmbH</b> Max-Eyth-Straße 16 97980 Bad Mergentheim Germany		
erklären in alleiniger Verantwortung, dass das Produkt	declare under our sole responsibility that the product	attestons sous notre seule responsabilité que le produit
<b>Endschalter Positionsschalter</b>	<b>Limit Switch Position switch</b>	<b>Fin de course Interrupteur de position</b>

**Limit Switch Typ: 07-2511-\*\*\*\*/\*\*\*\*; 07-2581-\*\*\*\*/\*\*\*\*;  
 Position Switch Typ: 07-291\*-\*\*\*\*/\*\*\*\***

auf das sich diese Erklärung bezieht den Anforderungen der folgenden Richtlinien (RL) entspricht	to which this declaration relates is in accordance with the provision of the following directives (D)	se référant à cette attestation correspond aux dispositions des directives (D) suivantes
<b>ATEX-Richtlinie 2014/34/EU</b>	<b>ATEX-Directive 2014/34/EU</b>	<b>Directive ATEX 2014/34/UE</b>
<b>RoHS-Richtlinie 2011/65/EU</b>	<b>RoHS-Directive 2011/65/EU</b>	<b>Directive RoHS 2011/65/UE</b>
<b>RoHS-Richtlinie 2015/863/EU</b>	<b>RoHS-Directive 2015/863/EU</b>	<b>Directive RoHS 2015/863/UE</b>
und mit folgenden Normen oder normativen Dokumenten übereinstimmt	and is in conformity with the following standards or other normative documents	et est conforme aux normes ou documents normatifs ci-dessous

**EN IEC 60079-0:2018**  
**EN 60079-1:2014**  
**EN 60079-31:2014**  
**EN 60529:1991**  
**+ A1:2000 + A2:2013**  
**EN 60947-1:2007 +**  
**A1:2011 + A2:2014**  
**EN 60947-5-1:2017**

Verfahren der EU-Baumusterprüfung / Benannte Stelle	Procedure of EU-Type Examination / Notified Body	Procédure d'examen UE de type / Organisme Notifié
---	--	---

**EPS 14 ATEX 1766 X, Issue 1**

**2004, Bureau Veritas CPS Germany GmbH, Businesspark A96, 86842 Türkheim**

**CE 0044**

Bad Mergentheim, 17.02.2020



i.A. Simon Dyhringer  
Product Manager Ex e



i.V. Cristian Olareanu  
Team Leader Certification Center

## Declaration of incorporation

within the meaning of Machinery Directive 2006/42/EC  
for partly completed machinery, Appendix II Part B



## Declaration of conformity

within the meaning of EMC Directive 2014/30/EU  
within the meaning of RoHS Directive 2011/65/EU

GfA ELEKTROMATEN GmbH & Co. KG  
Wiesenstraße 81 · 40549 Düsseldorf  
Germany

We,  
**GfA ELEKTROMATEN GmbH & Co. KG**  
declare under our sole responsibility that the  
following product complies with the above directives  
and is only intended for installation in a door system.

Drive unit  
**SE 9.24-25,40 Ex**  
Part no.: 10002595 00001

We undertake to transmit in response to a reasoned  
request by the appropriate regulatory authorities the  
special documents on the partly completed  
machinery.

This product must only be put into operation when it  
has been determined that the complete  
machine/system in which it has been installed  
complies with the provisions of the above-mentioned  
directives.

Authorised representative to compile the technical  
documents is the undersigned.

Düsseldorf, 10.08.2018

**Stephan Kleine**  
CEO

  
Signature

The following requirements from Appendix I of the  
Machinery Directive 2006/42/EC are met:  
1.1.2, 1.1.3, 1.1.5, 1.2.2, 1.2.3, 1.2.6, 1.3.2, 1.3.3,  
1.3.9, 1.5.1, 1.5.2, 1.5.4, 1.5.6, 1.5.7, 1.5.8, 1.5.9,  
1.5.10, 1.5.11, 1.5.13, 1.6.1, 1.6.2, 1.6.4, 1.7.2, 1.7.3,  
1.7.4.3.

Standards applied:

**EN 12453:2017+A1:2021**

Industrial, commercial and garage doors and gates -  
Safety in use of power operated doors -  
Requirements

**EN 12604:2017**

Industrial, commercial and garage doors and gates -  
Mechanical aspects - Requirements

**EN 60335-1:2012**

Household and similar electrical appliances - Safety -  
Part 1: General requirements

**EN 61000-6-2:2005**

Electromagnetic compatibility (EMC) Part 6-2 Generic  
standards – Immunity standard for industrial  
environments

**EN 61000-6-3:2007**

Electromagnetic compatibility (EMC) Part 6-3 Generic  
standards – Emission standard for residential,  
commercial and light-industrial environments

## Declaration of incorporation

within the meaning of Supply of Machinery (Safety) Regulations 2008  
for partly completed machinery, Appendix II Part B

## Declaration of conformity

within the meaning of Electromagnetic Compatibility Regulations 2016  
within the meaning of Restriction of the Use of Certain Hazardous Substances in Electrical  
and Electronic Equipment Regulations 2012



We,  
**GfA ELEKTROMATEN GmbH & Co. KG**  
declare under our sole responsibility that the  
following product complies with the above directives  
and is only intended for installation in a door system.

Drive unit  
**SE 9.24-25,40 Ex**  
Part no.: 10002595 00001

We undertake to transmit in response to a reasoned  
request by the appropriate regulatory authorities the  
special documents on the partly completed  
machinery.

This product must only be put into operation when it  
has been determined that the complete  
machine/system in which it has been installed  
complies with the provisions of the above-mentioned  
directives.

Authorised representative:  
Andrew Collett  
GfA ELEKTROMATEN UK Ltd  
Tournament Fields Business Park,  
Agincourt Rd,  
Warwick CV34 6XZ

Düsseldorf, 01.11.2022

**Stephan Kleine**  
CEO

A handwritten signature in black ink, appearing to read 'S. Kleine'.

Signature

The following requirements from Appendix I of the  
Supply Machinery (Safety) Regulations 2008 are  
met:  
1.1.2, 1.1.3, 1.1.5, 1.2.2, 1.2.3, 1.2.6, 1.3.2, 1.3.3,  
1.3.9, 1.5.1, 1.5.2, 1.5.4, 1.5.6, 1.5.7, 1.5.8, 1.5.9,  
1.5.10, 1.5.11, 1.5.13, 1.6.1, 1.6.2, 1.6.4, 1.7.2, 1.7.3,  
1.7.4.3.

Applied Standards:  
**BS EN 12453:2017+A1:2021**  
Industrial, commercial and garage doors and gates -  
Safety in use of power operated doors -  
Requirements

**BS EN 60335-2-103:2015**  
Household and similar electrical appliances -  
Safety - Part 2-103: Particular requirements for  
drives for gates, doors and windows

**BS EN 61000-6-2:2005**  
Electromagnetic compatibility (EMC) Part 6-2  
Generic standards – Immunity standard for  
industrial environments

**BS EN 61000-6-3:2007**  
Electromagnetic compatibility (EMC) Part 6-3  
Generic standards – Emission standard for  
residential, commercial and light-industrial  
environments